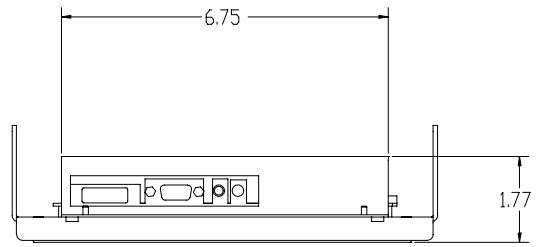
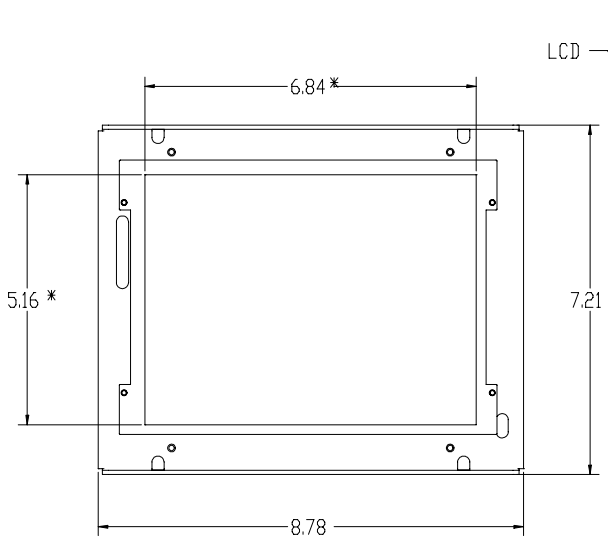


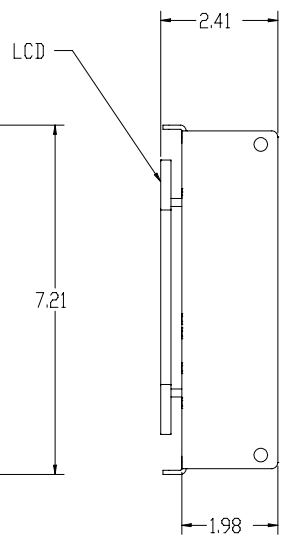
REVISIONS				
ZONE	REV.	DESCRIPTION	DATE	APPROVED
	01	PROTOTYPE RELEASE	12/2/2005	



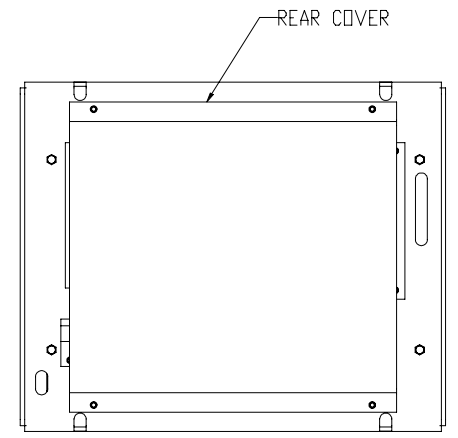
TOP VIEW



FRONT VIEW
(* LCD VIEWING AREA)



SIDE VIEW



REAR VIEW

UNLESS OTHERWISE SPECIFIED		NAME	DATE	Dynamic Displays, Inc.
DIMENSIONS ARE IN INCHES	DRAWN	ARJ	12/2/05	
TOLERANCES:	CHECKED			TITLE: 8.4" LCD, OUTLINE DRAWING
FRACTIONAL ±	ENG APPR.			
DECIMAL INCH ±	MFG APPR.			
TWO PLACE DECIMAL ± .005	CAR			SIZE DWG. NO.
THREE PLACE DECIMAL ± .010	COMMENTS:			C 0014098
STATEMENT WITHIN THE ILLUSTRATION PER	INTRODUCED			REV
	FINISH			01
PREPARED AND CONFIDENTIAL THE INFORMATION CONTAINED IN THIS DRAWING IS THE SOLE PROPERTY OF DYNAMIC DISPLAYS, INC. REPRODUCTION IN PART OR AS A WHOLE WITHOUT THE WRITTEN PERMISSION OF DYNAMIC DISPLAYS, INC. IS PROHIBITED.	NEXT ASSY	USED ON		SCALE: 1:2
	APPLICATION	DO NOT SCALE DRAWING		SHEET 1 OF 1