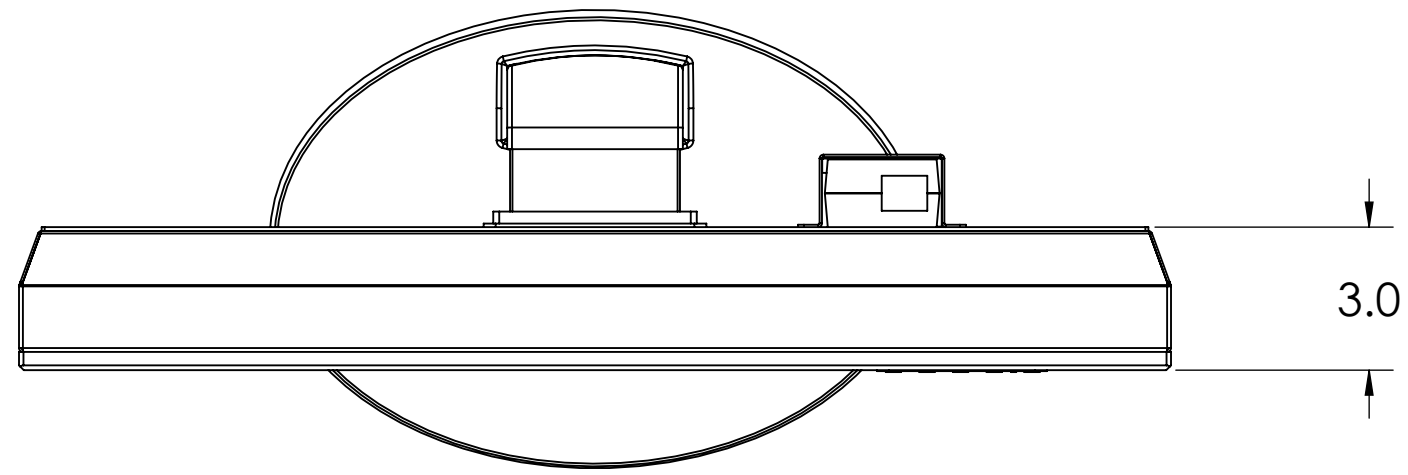
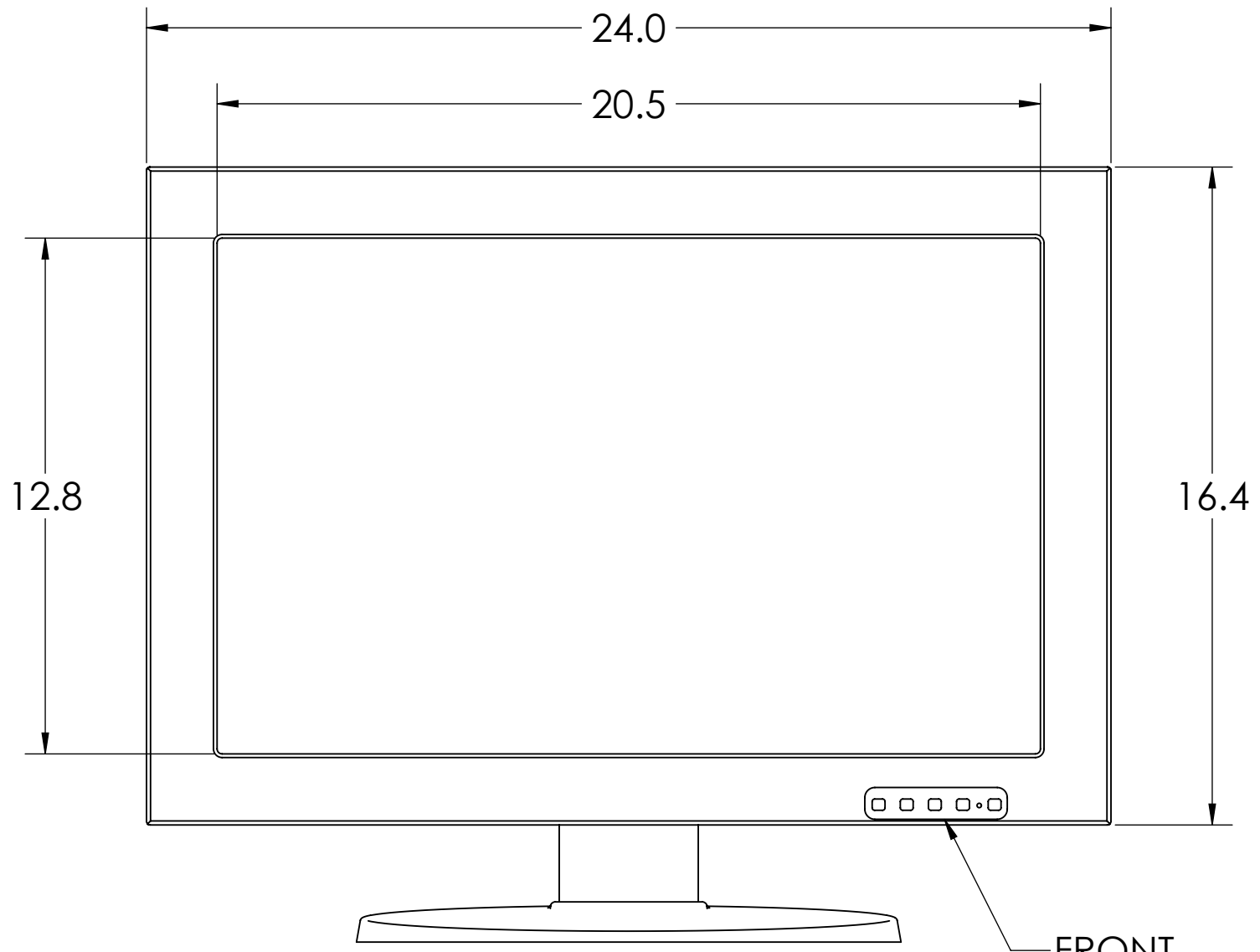
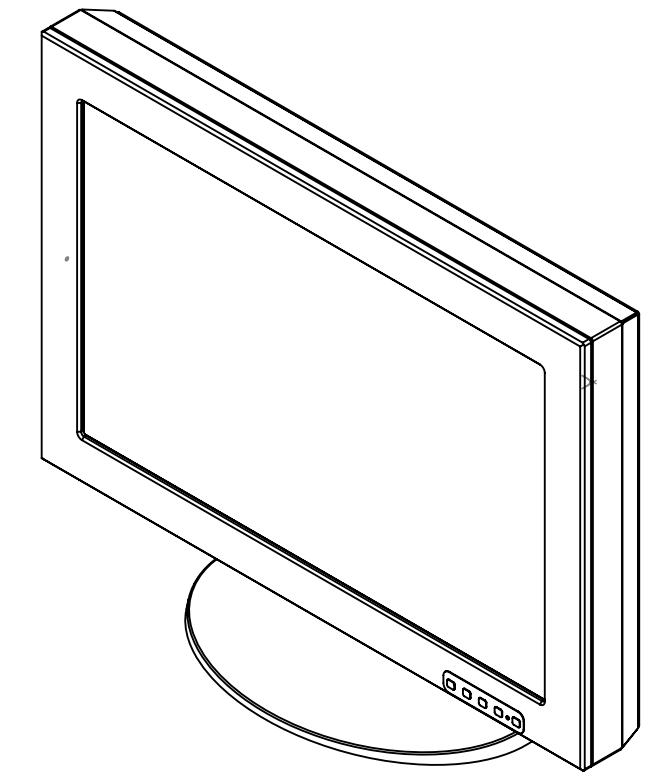


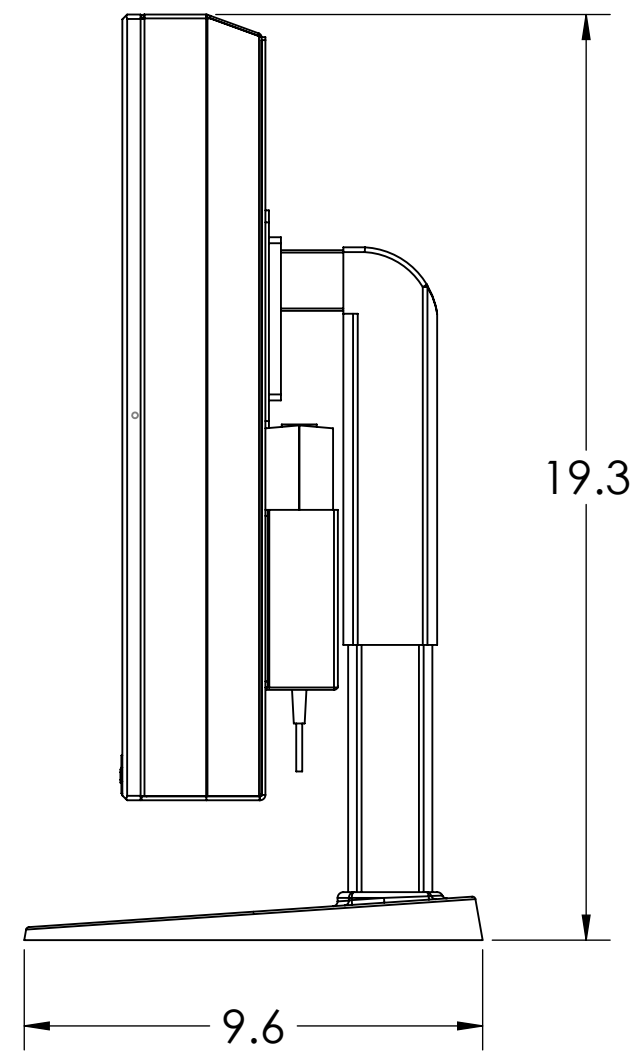
REVISIONS				
ZONE	REV.	DESCRIPTION	DATE	APPROVED
	01	INITIAL RELEASE	6/14/2007	
	02	ENLARGED VIEWING AREA ENLARGED INTERFACE ACCESS AREA	1/12/2008	
	03	POWER SUPPLY BRACKET OPTION ADDED	12/14/2008	



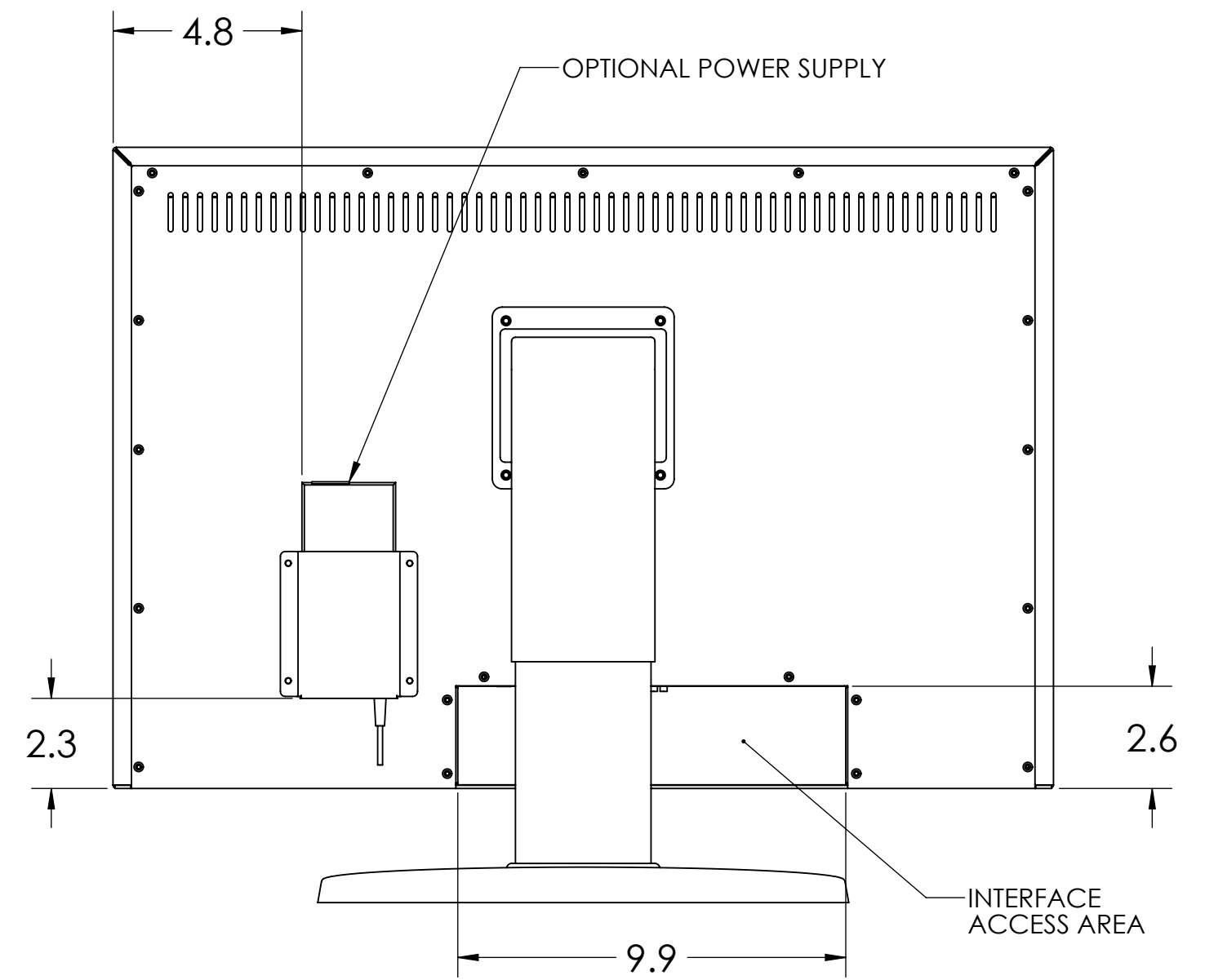
TOP VIEW



FRONT VIEW



SIDE VIEW



REAR VIEW

**PROPRIETARY AND CONFIDENTIAL**  
THE INFORMATION CONTAINED IN THIS DRAWING IS THE SOLE PROPERTY OF DYNAMIC DISPLAYS, INC. ANY REPRODUCTION IN PART OR AS A WHOLE WITHOUT THE WRITTEN PERMISSION OF DYNAMIC DISPLAYS, INC. IS PROHIBITED.

UNLESS OTHERWISE SPECIFIED:		NAME	DATE
DIMENSIONS ARE IN INCHES		DRAWN	ARJ 6/14/07
TOLERANCES:		CHECKED	
FRACTIONAL ±		ENG APPR.	
ANGULAR: MACH ± BEND ± .5°		MFG APPR.	
TWO PLACE DECIMAL ± .020		Q.A.	
THREE PLACE DECIMAL ± .010		COMMENTS:	
MATERIAL	X		
FINISH	X		
NEXT ASSY	USED ON		
APPLICATION	DO NOT SCALE DRAWING		

Dynamic Displays, Inc.

TITLE:  
**24" LANDSCAPE WITH STAND**

SIZE DWG. NO. REV  
**C 0014115 03**

SCALE: 1:4 SHEET 1 OF 1