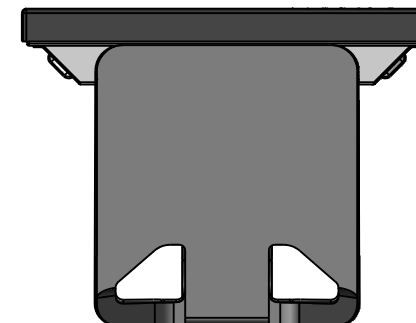
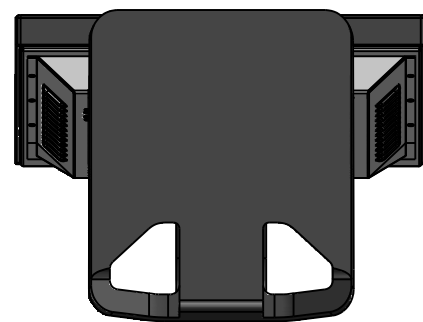
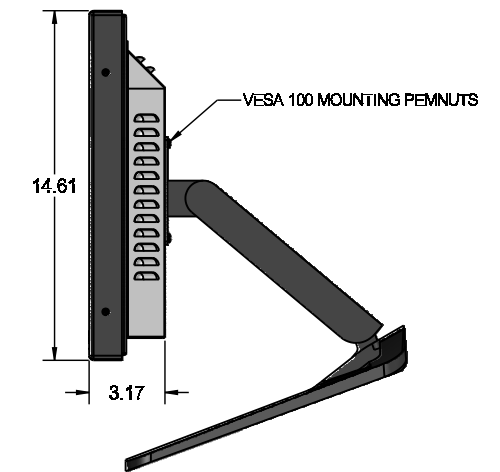
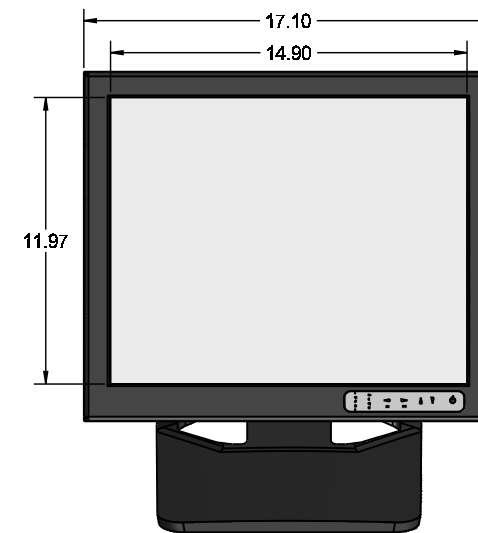
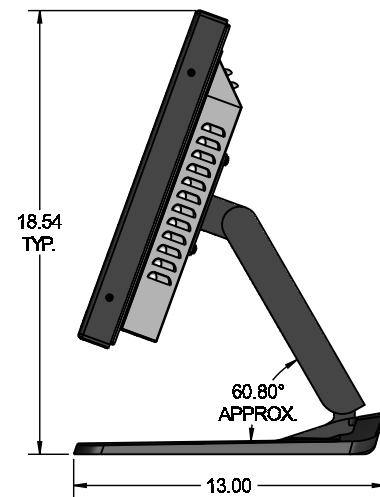
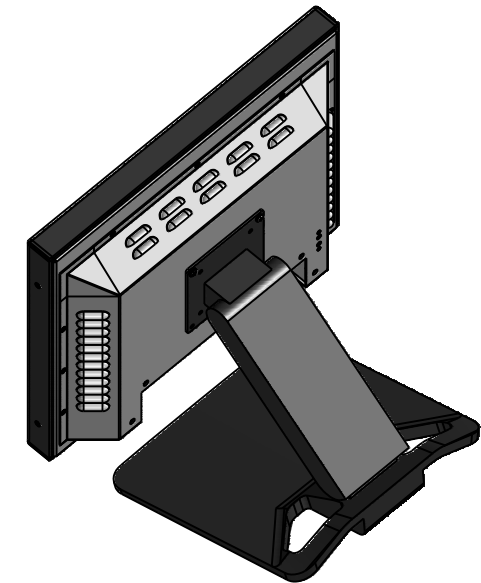
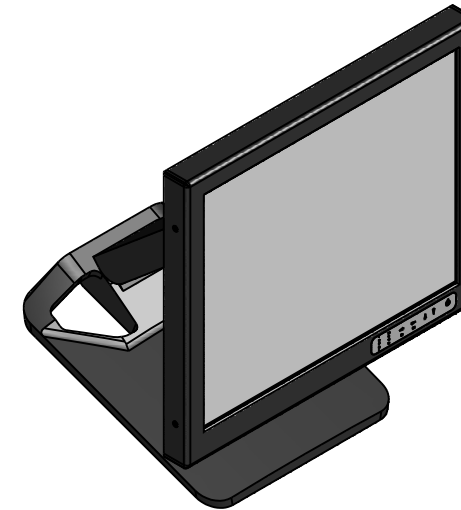
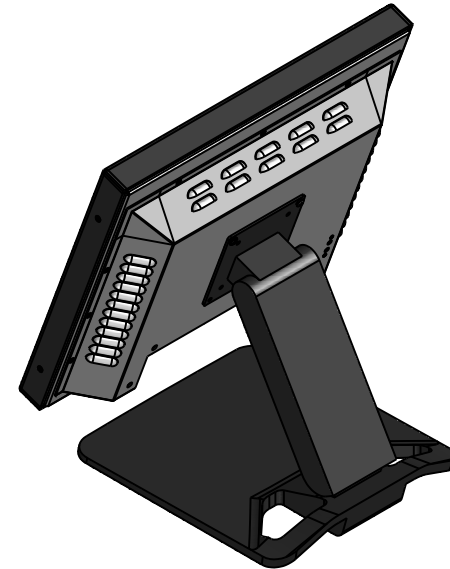


# 19" LCD Desktop Monitor Tilt & Swivel Base Reference

# 19" LCD Desktop Monitor Metal Enclosure Reference

REVISIONS			
REV.	DESCRIPTION	DATE	APPROVED
01	PROTOTYPE RELEASE	2/8/2013	
02	MOVED EXPLODED VIEW TO SHEET 2; MADE CHGS TO PARTS	4/30/2013	
03	REPLACED 33-310-080 WITH 33-387-086	10/8/2014	



PROPRIETARY AND CONFIDENTIAL  
THE INFORMATION CONTAINED IN THIS  
DRAWING IS THE SOLE PROPERTY OF  
DYNAMIC DISPLAYS, INC. ANY  
REPRODUCTION IN PART OR AS A WHOLE  
WITHOUT THE WRITTEN PERMISSION OF  
DYNAMIC DISPLAYS, INC. IS PROHIBITED.

UNLESS OTHERWISE SPECIFIED	NAME	DATE
DIMENSIONS ARE IN INCHES	CBM	5/13/2015
TOLERANCES	DR	05/13/15
FUNCTIONAL	CBM	05/13/15
ANGULAR MATCH - BEND :	ENG APPR	CBM
TWO PLACE DECIMAL :	MFG APPR	LP
THREE PLACE DECIMAL :	Q A	MFC
INTERPRET GEOMETRIC TOLERANCING PER	COMMENTS:	
ASME Y14.5		
DO NOT SCALE DRAWING		

Dynamic Displays, Inc.	
TITLE	
OUTLINE DWG, 19" FLT/PNL, MTL ENCL	
SIZE: DWG. NO.	REV
D 0014137	03
SCALE: 1:4	WEIGHT: SHEET 1 OF 1