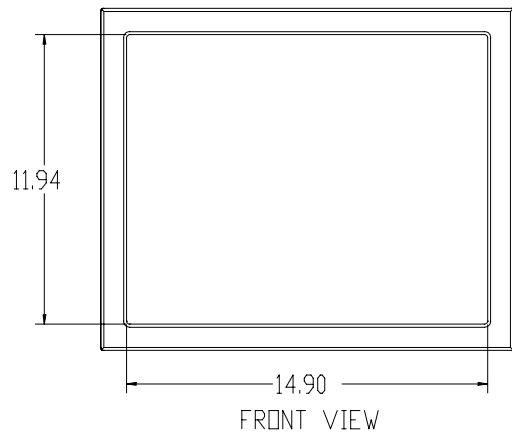
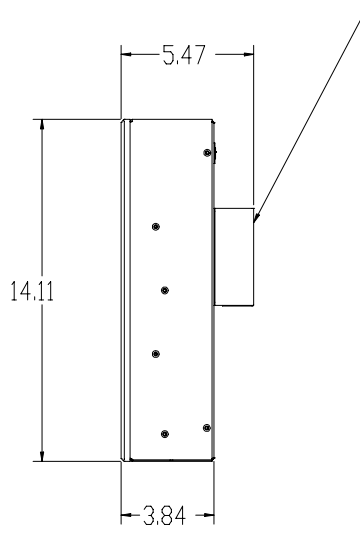


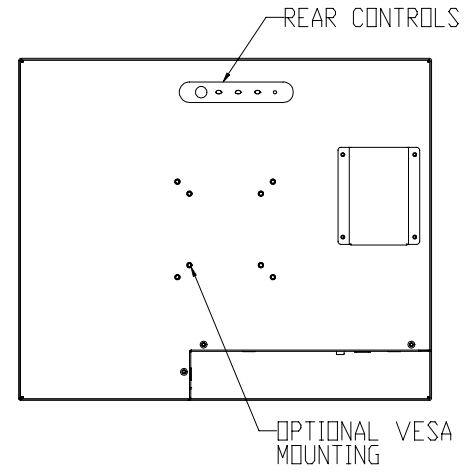
REVISIONS				
ZONE	REV.	DESCRIPTION	DATE	APPROVED
	01	PROTOTYPE RELEASE	1/7/2006	



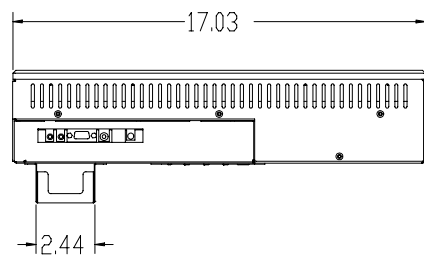
FRONT VIEW



SIDE VIEW



REAR VIEW



BOTTOM VIEW

PROPRIETARY AND CONFIDENTIAL  
 THE INFORMATION CONTAINED IN THIS DRAWING IS THE SOLE PROPERTY OF  
 DYNAMIC DISPLAYS, INC. ANY  
 REPRODUCTION IN PART OR AS A WHOLE  
 WITHOUT THE WRITTEN PERMISSION OF  
 DYNAMIC DISPLAYS, INC. IS  
 PROHIBITED.

		(UNLESS OTHERWISE SPECIFIED)					
		DRAWING ARE IN INCHES	DRAWN	NAME	DATE	Dynamic Displays, Inc.	
		FUNCTIONAL #	ARJ	ARJ	1/7/2006	TITLE:	
		ANGULAR DIMS ± 30°	CHECKED			OUTLINE DRAWING,	
		TWO PLACE DECIMAL ± .005	ENG APPR.			19" FLT/WALL MNT	
		THREE PLACE DECIMAL ± .001	MFG APPR.			SIZE DWG. NO.	
		INTERMET GEOMETRIC TOLERANCING PER	QA			C	0014101
		ASME Y14.5M-2002	COMMENTS			REV	01
		NETDOK				SCALE: 1:4	SHEET1 OF 1
		FINISH					
		APPLICATION					
		SO NET SCALE DRAWING					