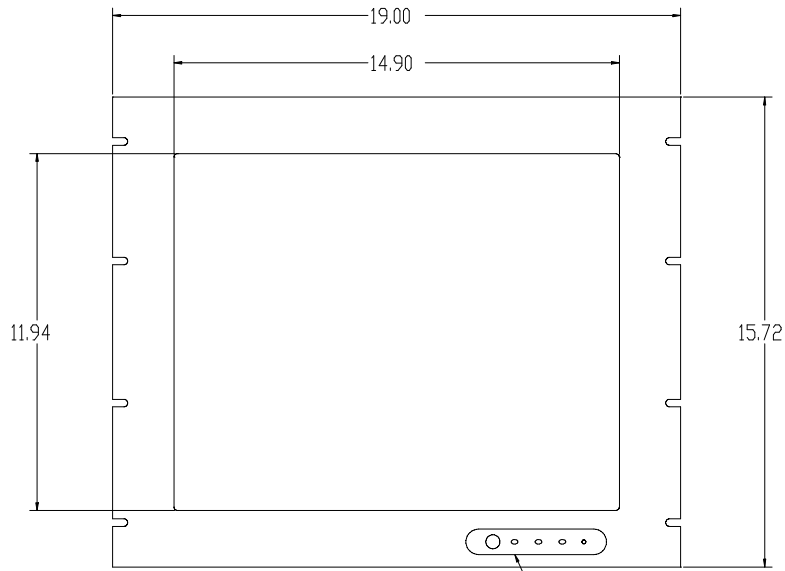
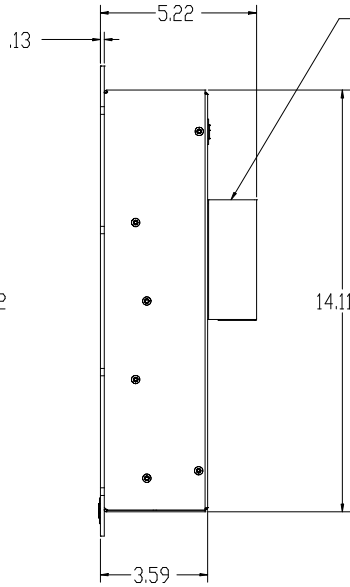


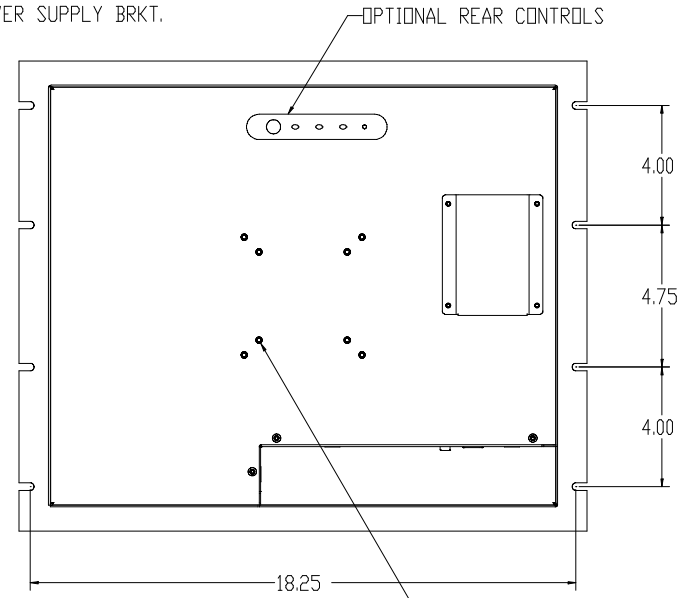
REVISIONS				
ZONE	REV.	DESCRIPTION	DATE	APPROVED
	02	PROTOTYPE RELEASE	1/7/2006	



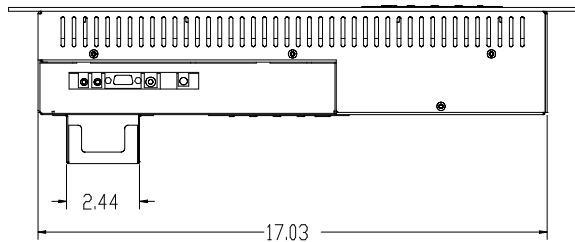
FRONT VIEW  
OPTIONAL FRONT CONTROLS



SIDE VIEW  
POWER SUPPLY BRKT.



REAR VIEW  
OPTIONAL REAR CONTROLS  
OPTIONAL VESA MOUNTING



BOTTOM VIEW

PROPRIETARY AND CONFIDENTIAL  
THE INFORMATION CONTAINED IN THIS DRAWING IS THE PROPERTY OF DYNAMIC DISPLAYS, INC. AND IS TO BE USED ONLY FOR THE MANUFACTURE OF PRODUCTS.  
UNLESS OTHERWISE SPECIFIED

UNLESS OTHERWISE SPECIFIED	DATE	12/7/06	Dynamic Displays, Inc.
DESIGNED BY	DRWN		TITLE
CHECKED BY	CHKD		OUTLINE DRAWING,
APPROVED BY	APPD		19" FLT/PNL, RACK MNT
DATE OF APPROVAL	DATE		SIZE (DWG - NDL)
SCALE	SCALE		D   0014100
REVISIONS	REV		01
APPROVAL	APPROVED		SCALE: 1:1 SHEET 1 OF 1

19" RACK MNT OUTLINE