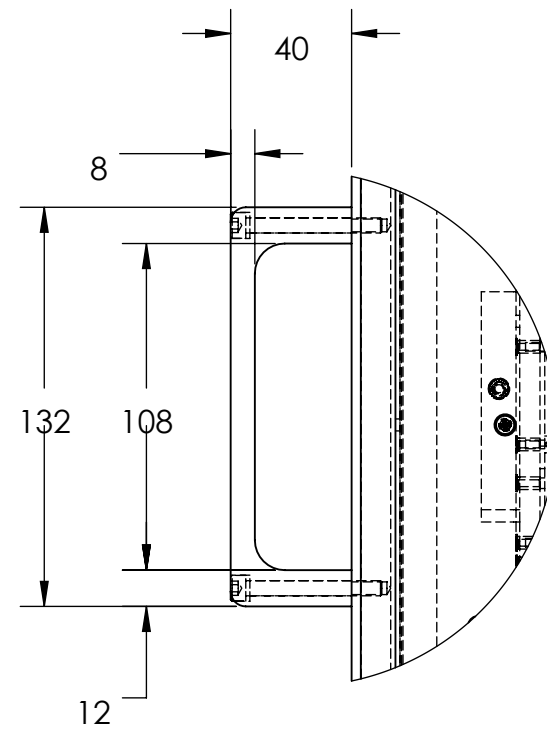
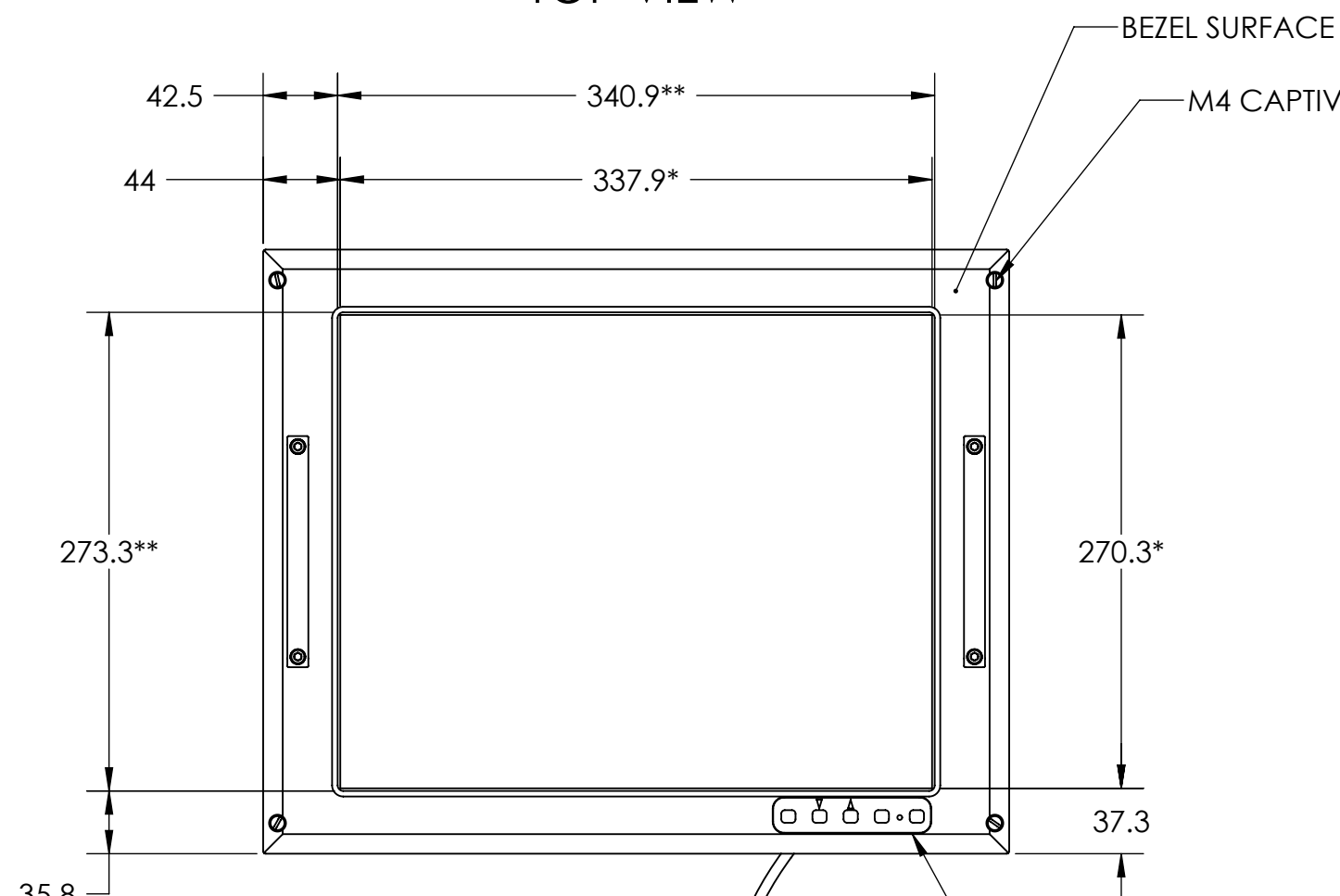
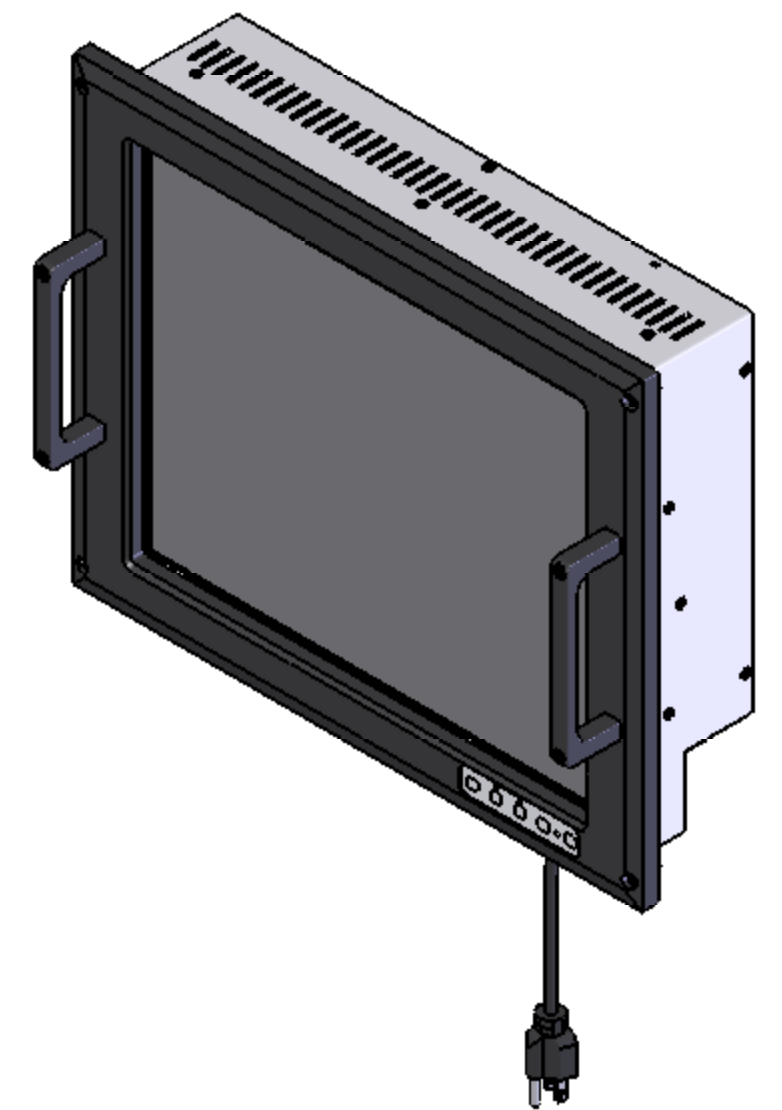


TOP VIEW

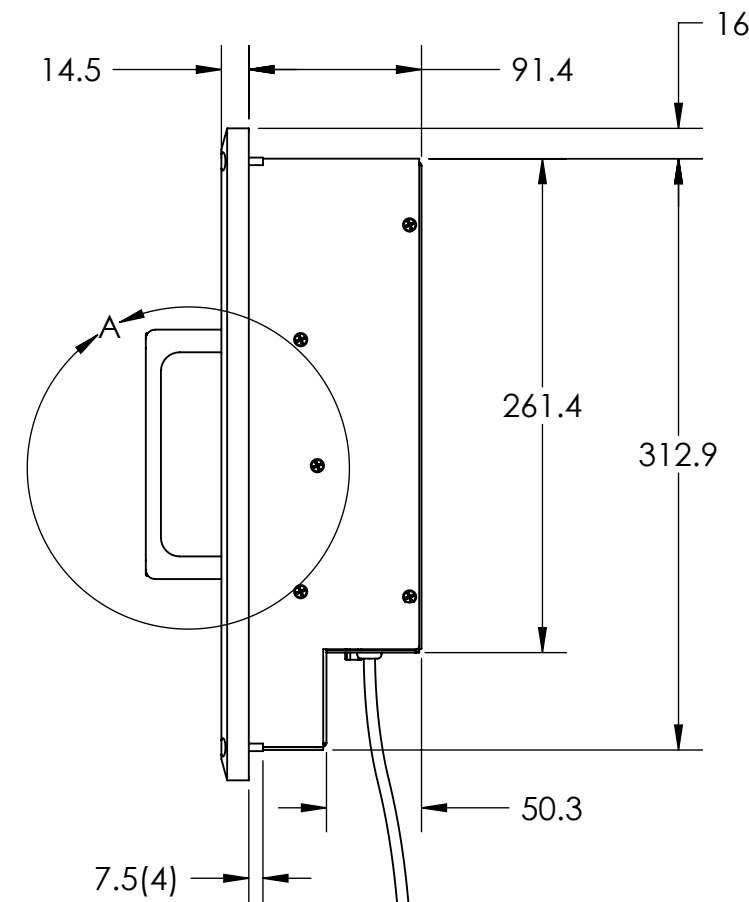


DETAIL A
SCALE 1 : 2.5
HANDLE DETAIL

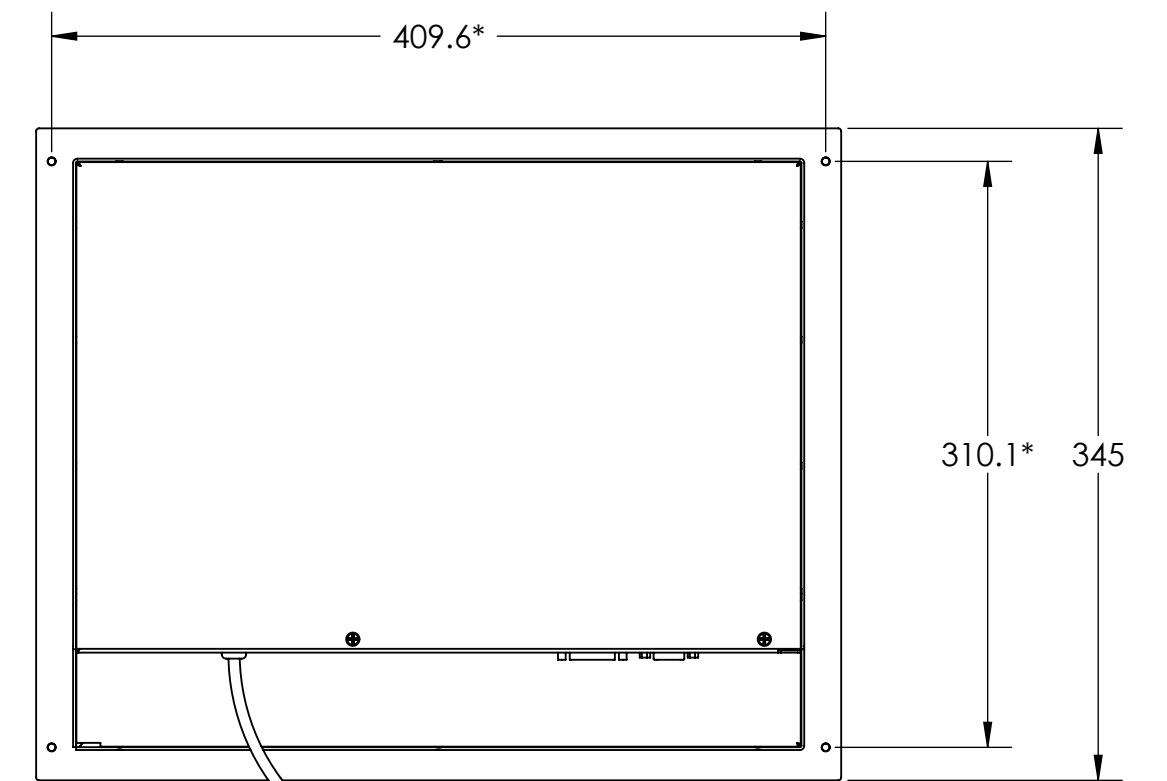


* LCD ACTIVE AREA
** BEZEL OPENING

FRONT VIEW



RIGHT SIDE VIEW

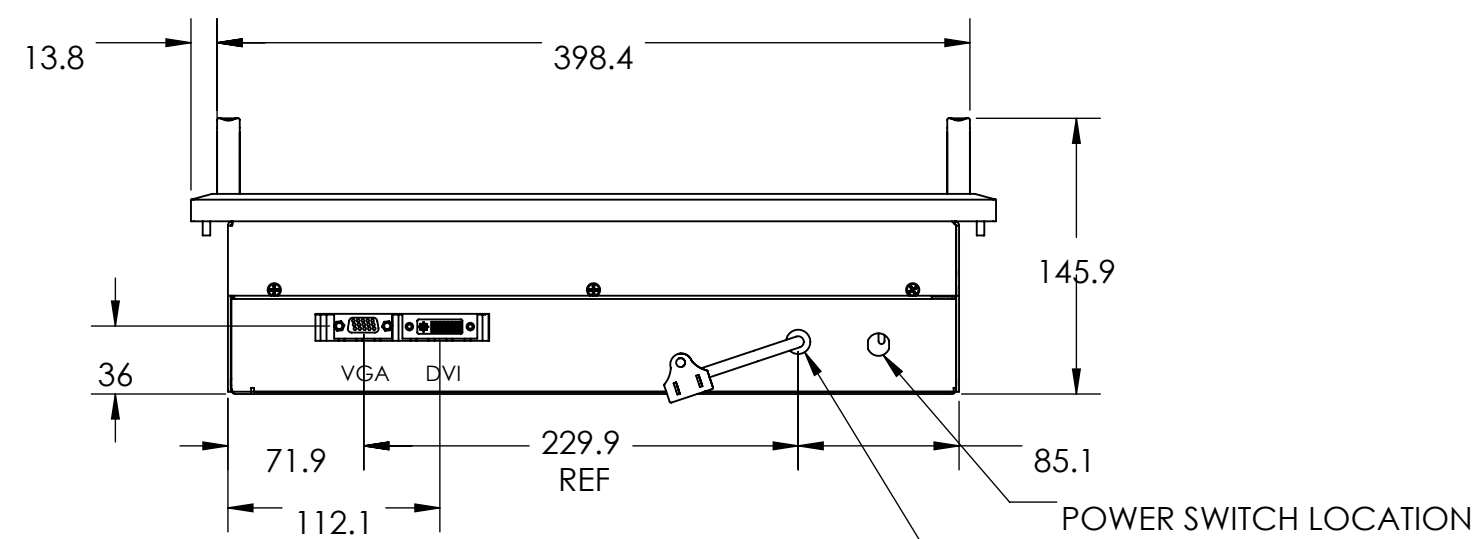


REAR VIEW

*MOUNTING HOLE PATTERN

CAPTIVE AC PWR CORD
(NEMA-5-15P)

(CORD WILL BE 2M LENGTH)
(SHORTENED CORD SHOWN FOR CLARITY)



BOTTOM VIEW

PROPRIETARY AND CONFIDENTIAL
THE INFORMATION CONTAINED IN THIS DRAWING IS THE SOLE PROPERTY OF DYNAMIC DISPLAYS, INC. ANY REPRODUCTION IN PART OR AS A WHOLE WITHOUT THE WRITTEN PERMISSION OF DYNAMIC DISPLAYS, INC. IS PROHIBITED.

UNLESS OTHERWISE SPECIFIED:		NAME	DATE
DIMENSIONS ARE IN INCHES		ARJ	2/19/10
TOLERANCES:			
FRACTIONAL			
ANGULAR: MACH ± BEND ± .5°			
TWO PLACE DECIMAL ± .020			
THREE PLACE DECIMAL ± .010			
INTERPRET GEOMETRIC TOLERANCING PER:			
MATERIAL			
FINISH			
NEXT ASSY	USED ON		
APPLICATION		DO NOT SCALE DRAWING	

Dynamic Displays, Inc.

TITLE:
**OUTLINE DWG,
17" FLT/PNL, DISPLAY,
RUGGEDIZED**

SIZE DWG. NO. REV
C 0014126 03

SCALE: 1:4 SHEET 1 OF 1