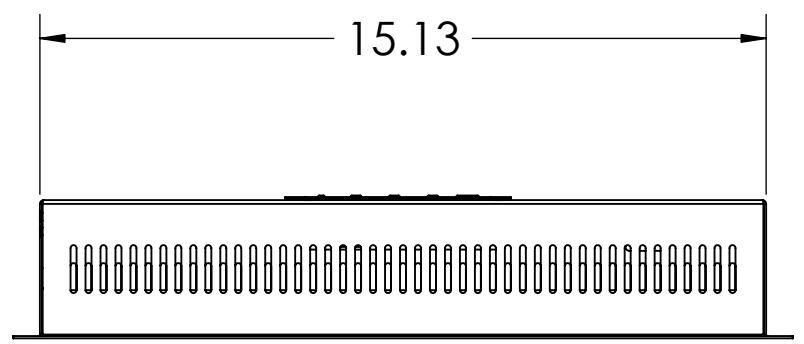
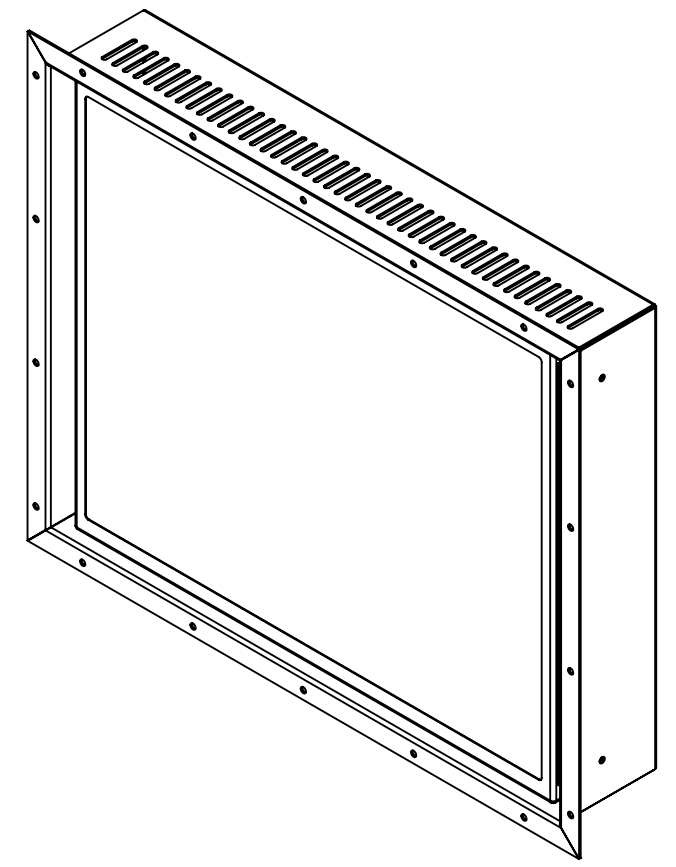
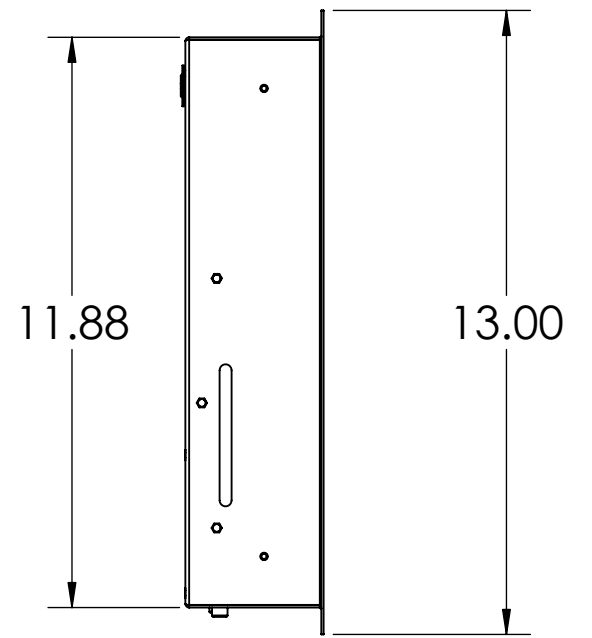


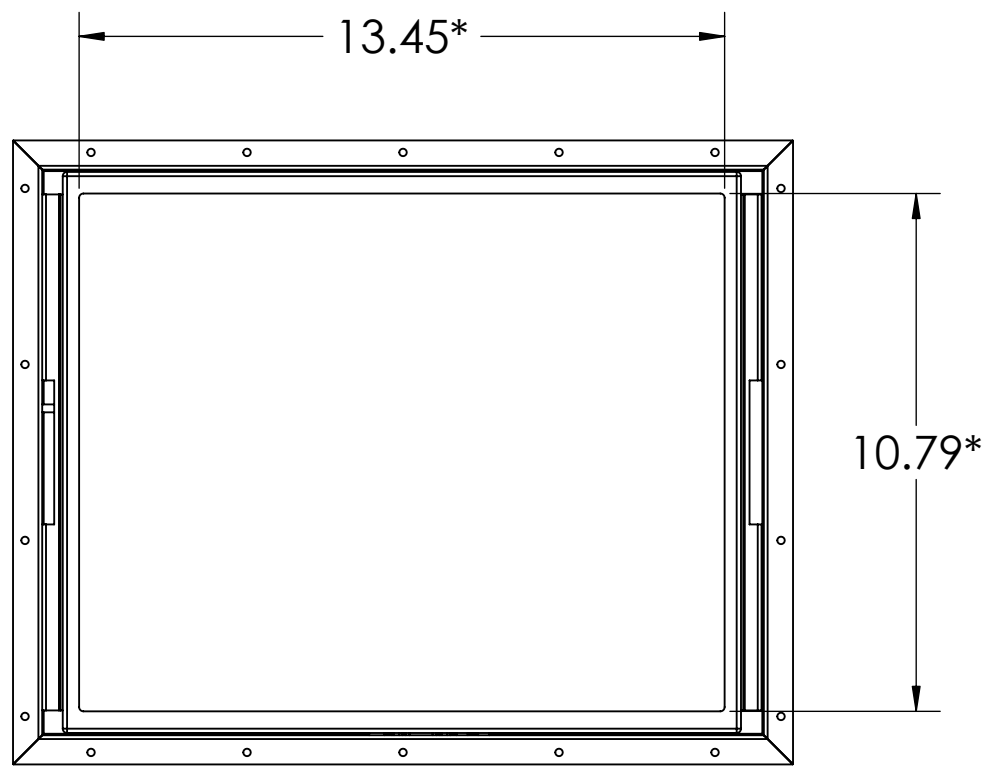
| REVISIONS | | | | |
|-----------|------|-----------------|------------|----------|
| ZONE | REV. | DESCRIPTION | DATE | APPROVED |
| | 01 | INITIAL RELEASE | 10/29/2006 | |



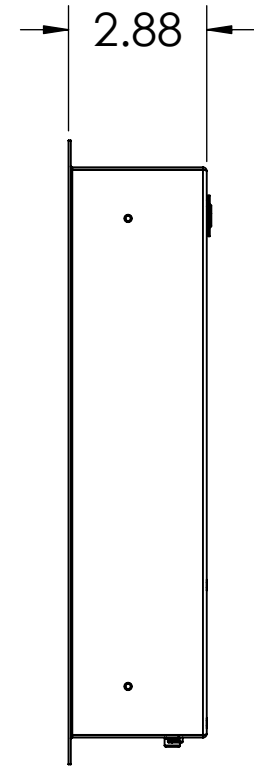
TOP VIEW



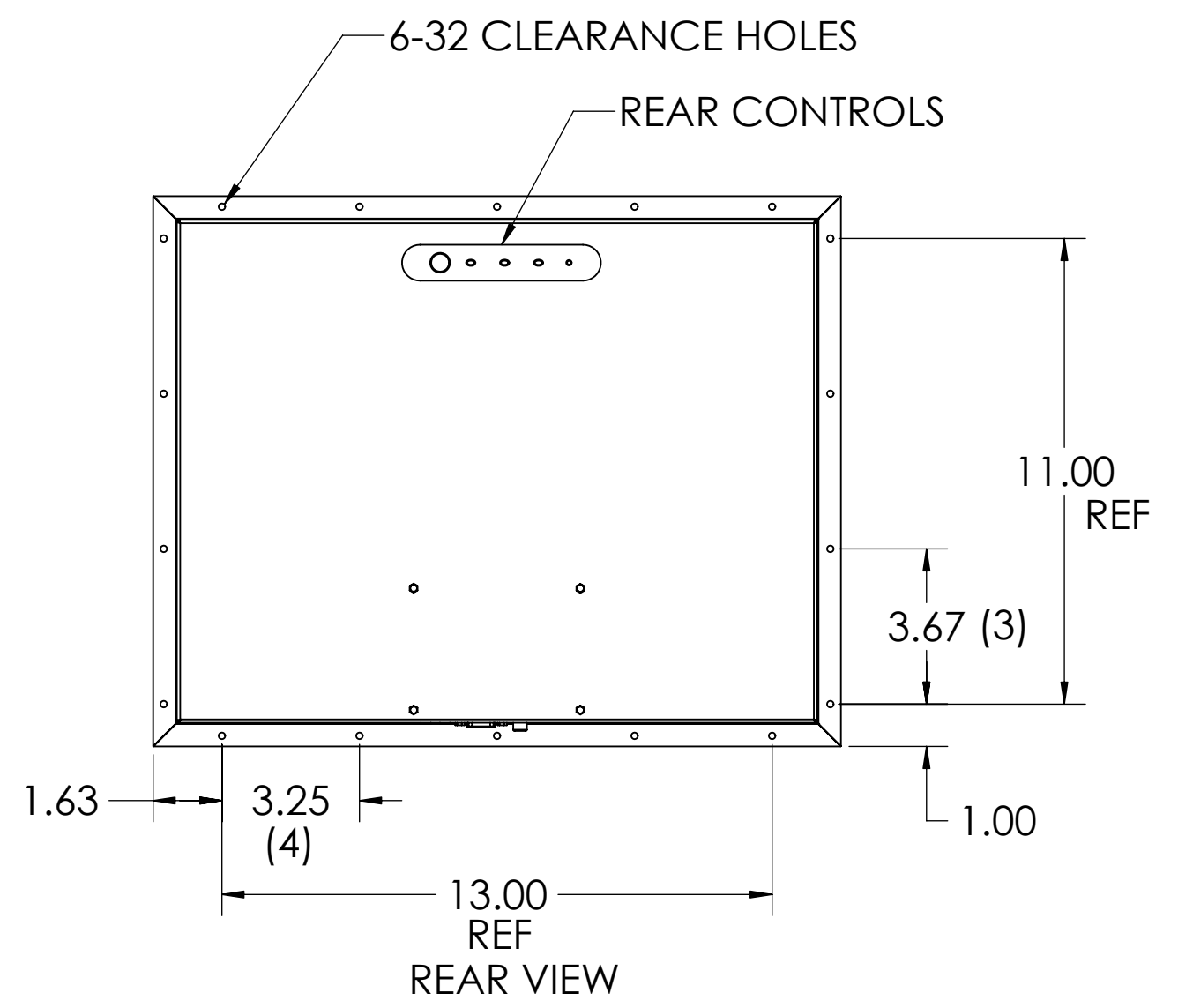
LEFT SIDE VIEW



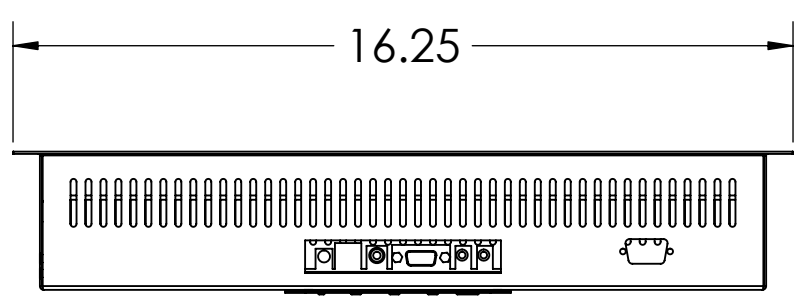
FRONT VIEW



RIGHT SIDE VIEW



REAR VIEW



BOTTOM VIEW

* VIEWING AREA

PROPRIETARY AND CONFIDENTIAL
 THE INFORMATION CONTAINED IN THIS DRAWING IS THE SOLE PROPERTY OF DYNAMIC DISPLAYS, INC. ANY REPRODUCTION IN PART OR AS A WHOLE WITHOUT THE WRITTEN PERMISSION OF DYNAMIC DISPLAYS, INC. IS PROHIBITED.

| | | | |
|-----------------------------|----------------------|-----------|--------------|
| UNLESS OTHERWISE SPECIFIED: | | NAME | DATE |
| DIMENSIONS ARE IN INCHES | | DRAWN | ARJ 10/29/06 |
| TOLERANCES: | | CHECKED | |
| FRACTIONAL ± | | ENG APPR. | |
| ANGULAR: MACH ± BEND ± .5° | | MFG APPR. | |
| TWO PLACE DECIMAL ± .020 | | Q.A. | |
| THREE PLACE DECIMAL ± .010 | | COMMENTS: | |
| NEXT ASSY | USED ON | FINISH | |
| APPLICATION | DO NOT SCALE DRAWING | | |

| | | |
|--------------------------------|--------------|-----|
| Dynamic Displays, Inc. | | |
| TITLE: | | |
| OUTLINE DRAWING, 17" GAMING | | |
| SIZE | DWG. NO. | REV |
| C | 0014110 | 01 |
| SCALE: 1:4 | SHEET 1 OF 1 | |