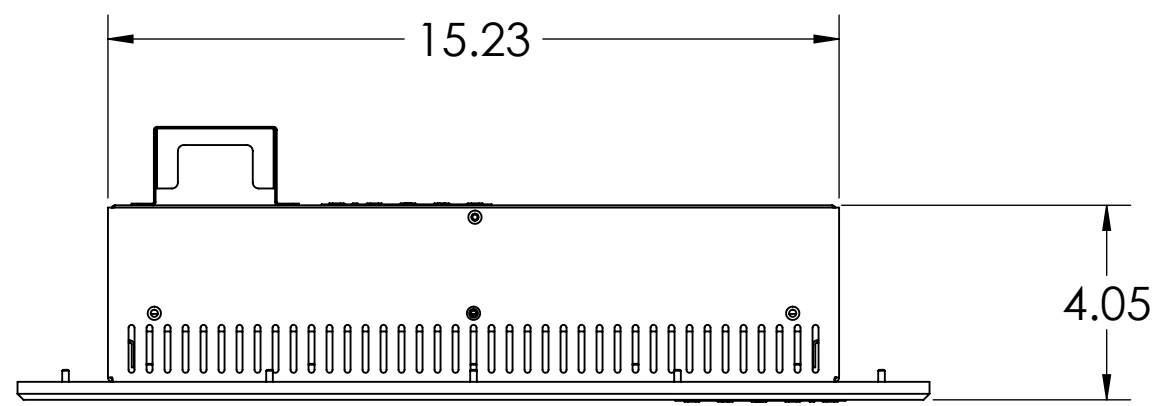
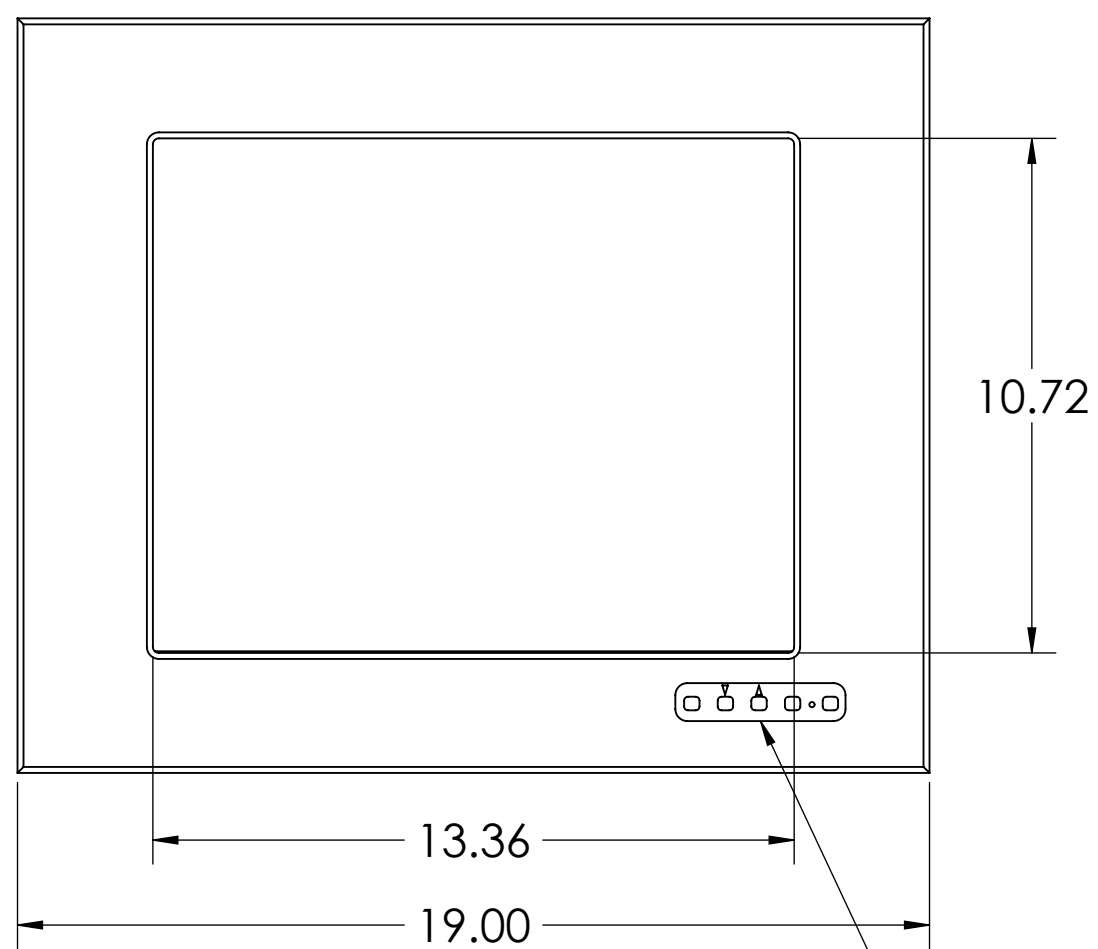


REVISIONS				
ZONE	REV.	DESCRIPTION	DATE	APPROVED
	01	PROTOTYPE RELEASE	7/4/2006	
	02	COMPONENTS REVISED	6/27/2009	

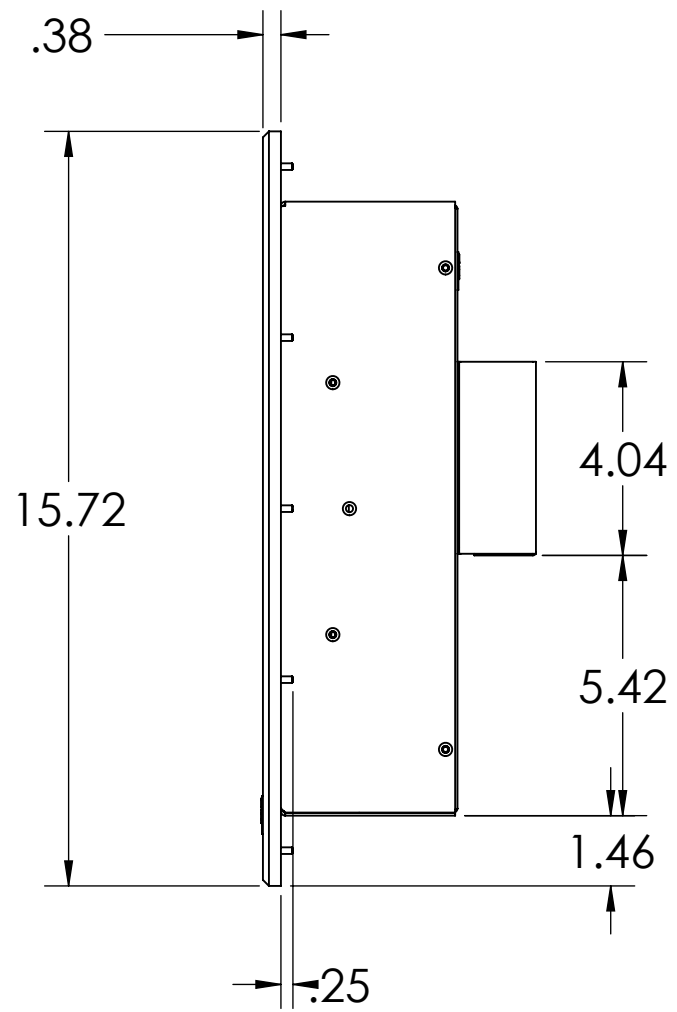


TOP VIEW

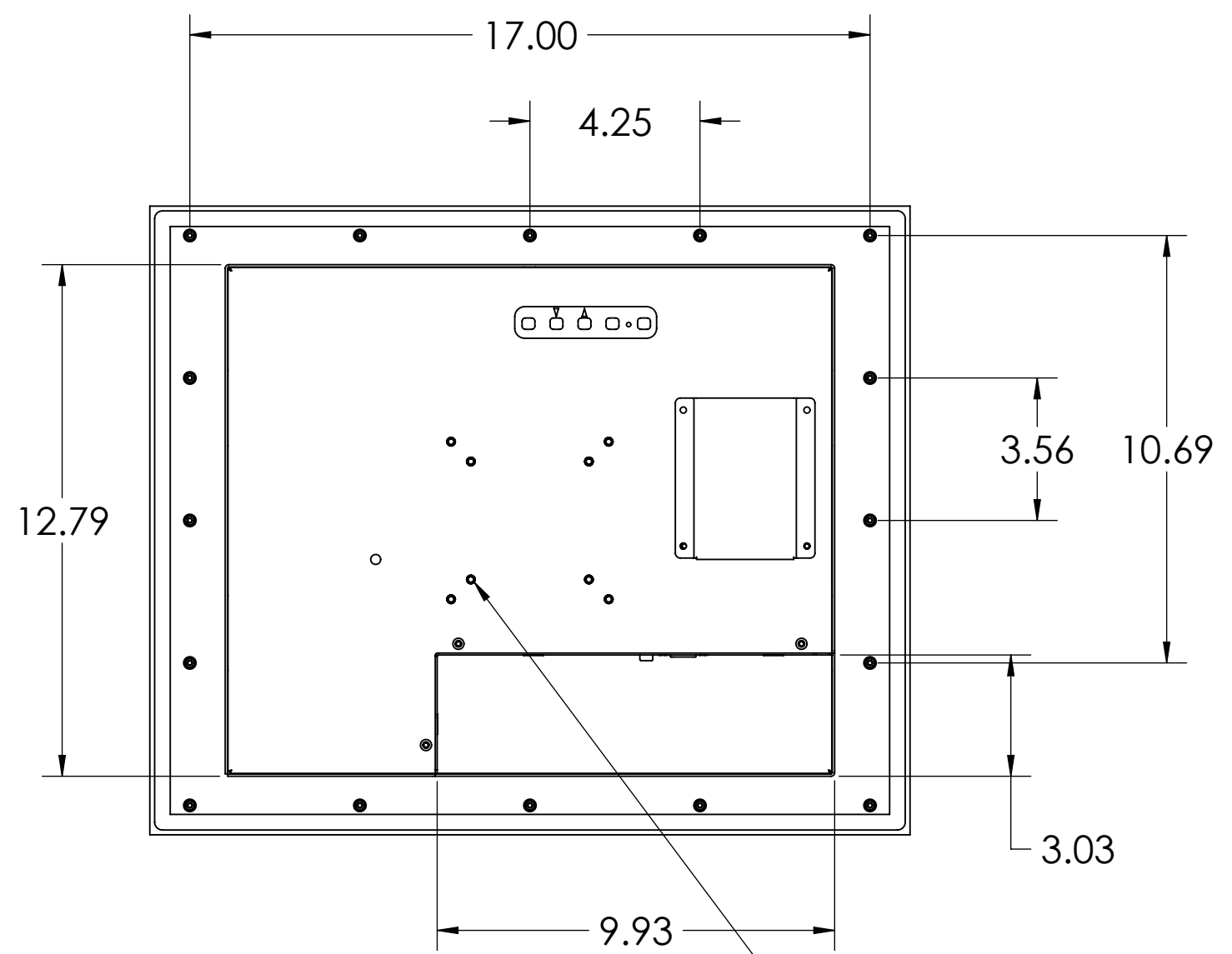


FRONT VIEW

OPTIONAL FRONT OR REAR CONTROLS

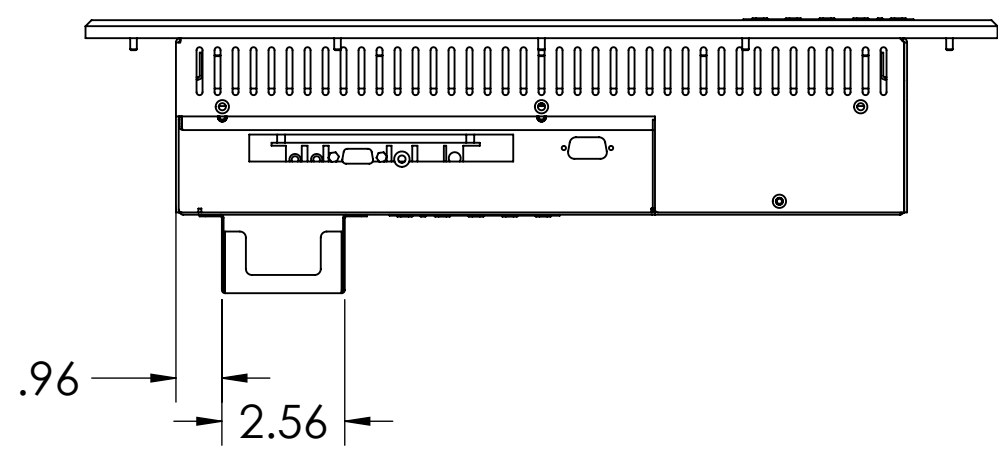


SIDE VIEW



REAR VIEW

OPTIONAL VESA MOUNTING



BOTTOM VIEW

**PROPRIETARY AND CONFIDENTIAL**  
 THE INFORMATION CONTAINED IN THIS DRAWING IS THE SOLE PROPERTY OF DYNAMIC DISPLAYS, INC. ANY REPRODUCTION IN PART OR AS A WHOLE WITHOUT THE WRITTEN PERMISSION OF DYNAMIC DISPLAYS, INC. IS PROHIBITED.

UNLESS OTHERWISE SPECIFIED:		NAME	DATE
DIMENSIONS ARE IN INCHES		DRAWN	ARJ 7/4/06
TOLERANCES:		CHECKED	
FRACTIONAL ±		ENG APPR.	
ANGULAR: MACH ± BEND ± .5°		MFG APPR.	
TWO PLACE DECIMAL ± .020		Q.A.	
THREE PLACE DECIMAL ± .010		COMMENTS:	
INTERPRET GEOMETRIC TOLERANCING PER: MATERIAL			
FINISH			
NEXT ASSY	USED ON		
APPLICATION	DO NOT SCALE DRAWING		

Dynamic Displays, Inc.		
TITLE:		
OUTLINE DWG, 17" LCD, PNL MNT		
SIZE	DWG. NO.	REV
<b>C</b>	<b>0014106</b>	<b>02</b>
SCALE: 1:4	SHEET 1 OF 1	