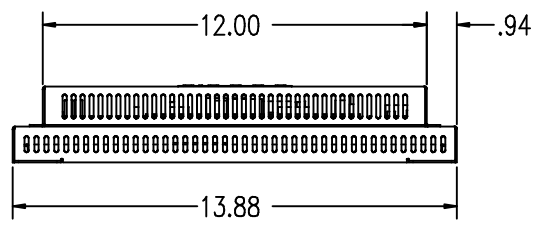
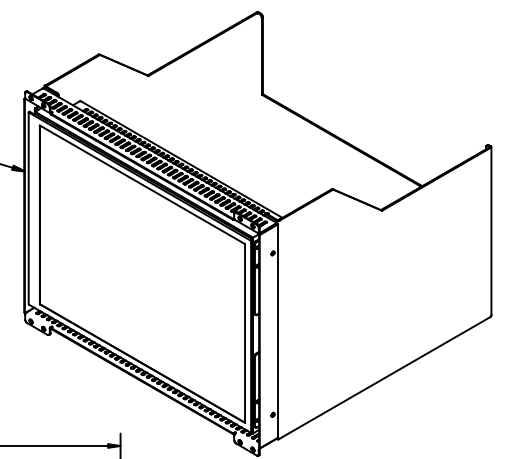


REVISIONS				
ZONE	REV.	DESCRIPTION	DATE	APPROVED
	01	INITIAL RELEASE	7/19/2007	
	02	CRT LEGACY DIMENSIONS ADDED	7/7/2009	

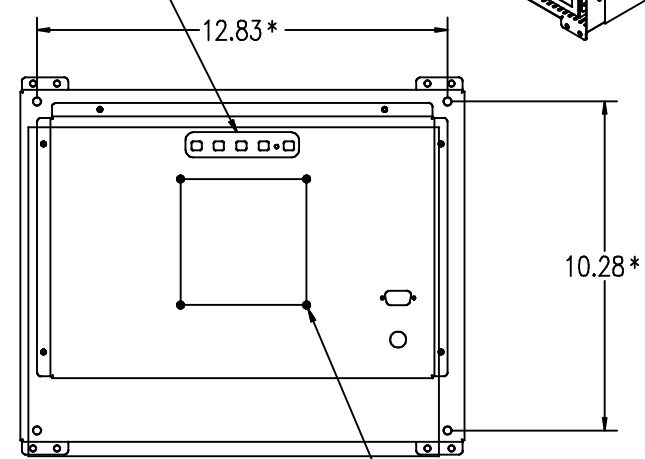


TOP VIEW

AS ATTACHED TO EXISTING CHASSIS

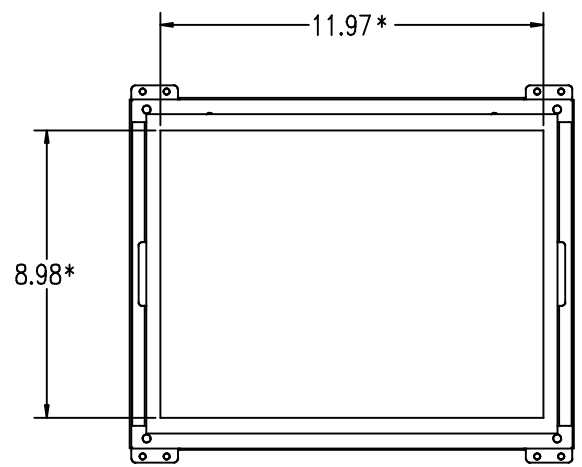


REAR CONTROLS

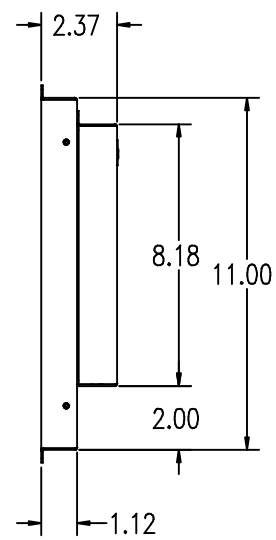


REAR VIEW
(* LEGACY CRT MOUNTING HOLES)

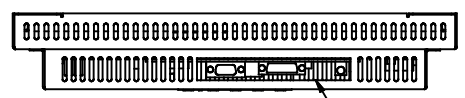
OPTIONAL VESA MOUNTING



FRONT VIEW
(* VIEWING AREA)
(OPTIONAL TOUCH SCREEN NOT SHOWN)



SIDE VIEW



BOTTOM VIEW

INTERFACE ACCESS

PROPRIETARY AND CONFIDENTIAL
THE INFORMATION CONTAINED IN THIS DRAWING IS THE SOLE PROPERTY OF DYNAMIC DISPLAYS, INC. ANY REPRODUCTION IN PART OR AS A WHOLE WITHOUT THE WRITTEN PERMISSION OF DYNAMIC DISPLAYS, INC. IS PROHIBITED.

UNLESS OTHERWISE SPECIFIED:		NAME	DATE
DRAWN	ARJ		7/19/07
CHECKED			
ANGULAR MATCH	± .005 ± .01	END APPR.	
TWO PLACE DECIMAL	± .005	MFG APPR.	
THREE PLACE DECIMAL	± .010	QA	
INTERPRET GEOMETRIC TOLERANCING PER		COMMENTS:	
UNLESS			
FINISH			
NEXT ASSY	USED ON		
APPLICATION	DO NOT SCALE DRAWING		

Dynamic Displays, Inc.		
TITLE:		
15" OPEN FRAME, OUTLINE DRAWING		
SIZE	DWG. NO.	REV
C	0014116	02
SCALE: 1:2	SHEET 1 OF 1	