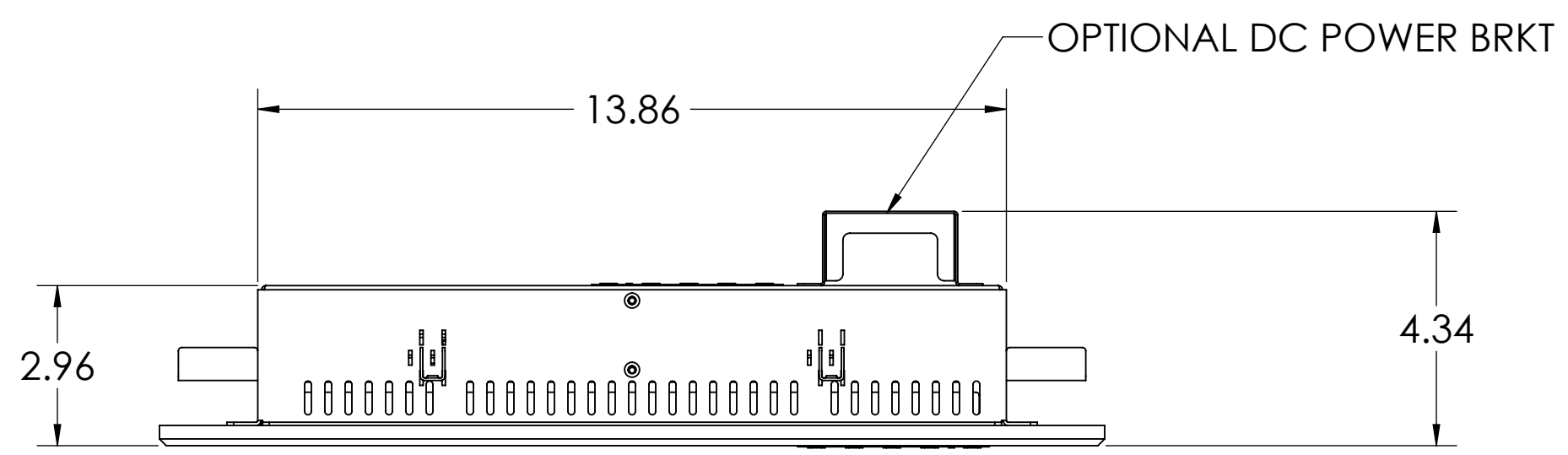
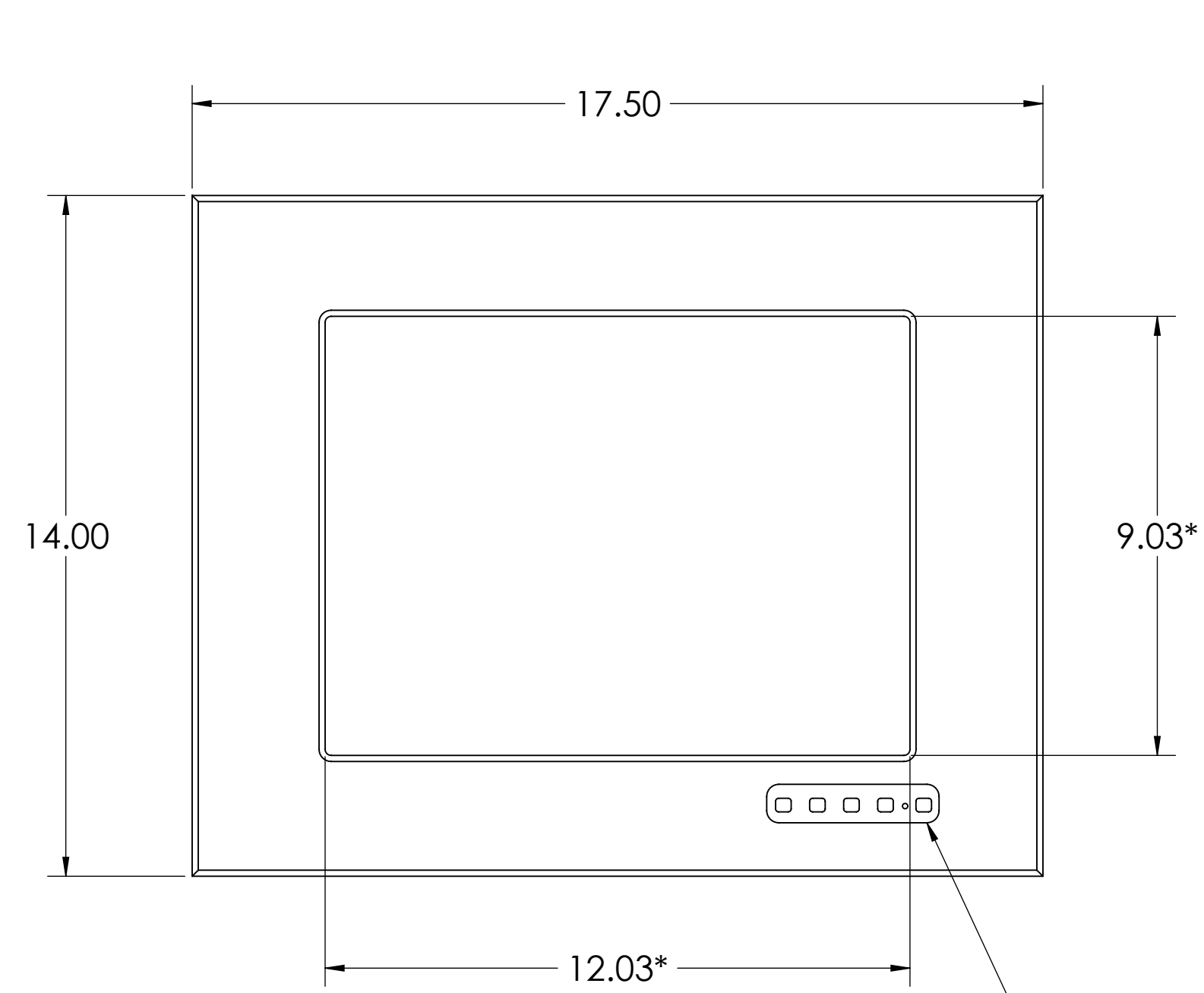
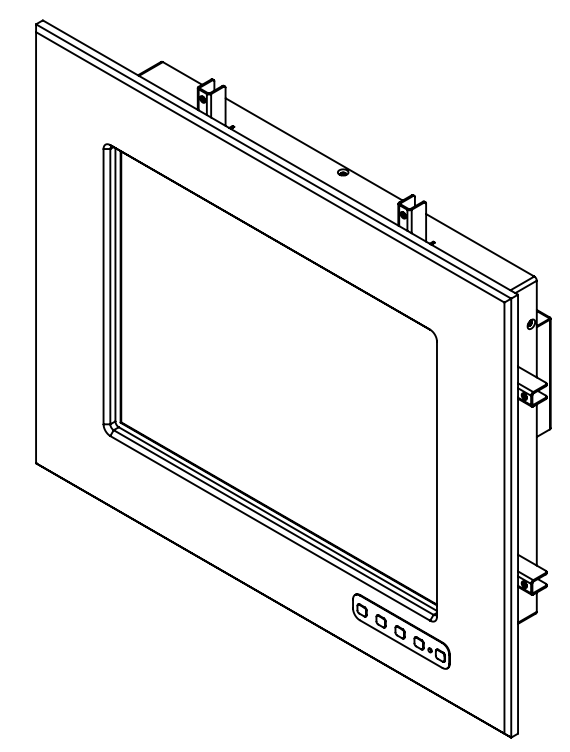


REVISIONS				
ZONE	REV.	DESCRIPTION	DATE	APPROVED
	01	INITIAL RELEASE	8/11/2007	

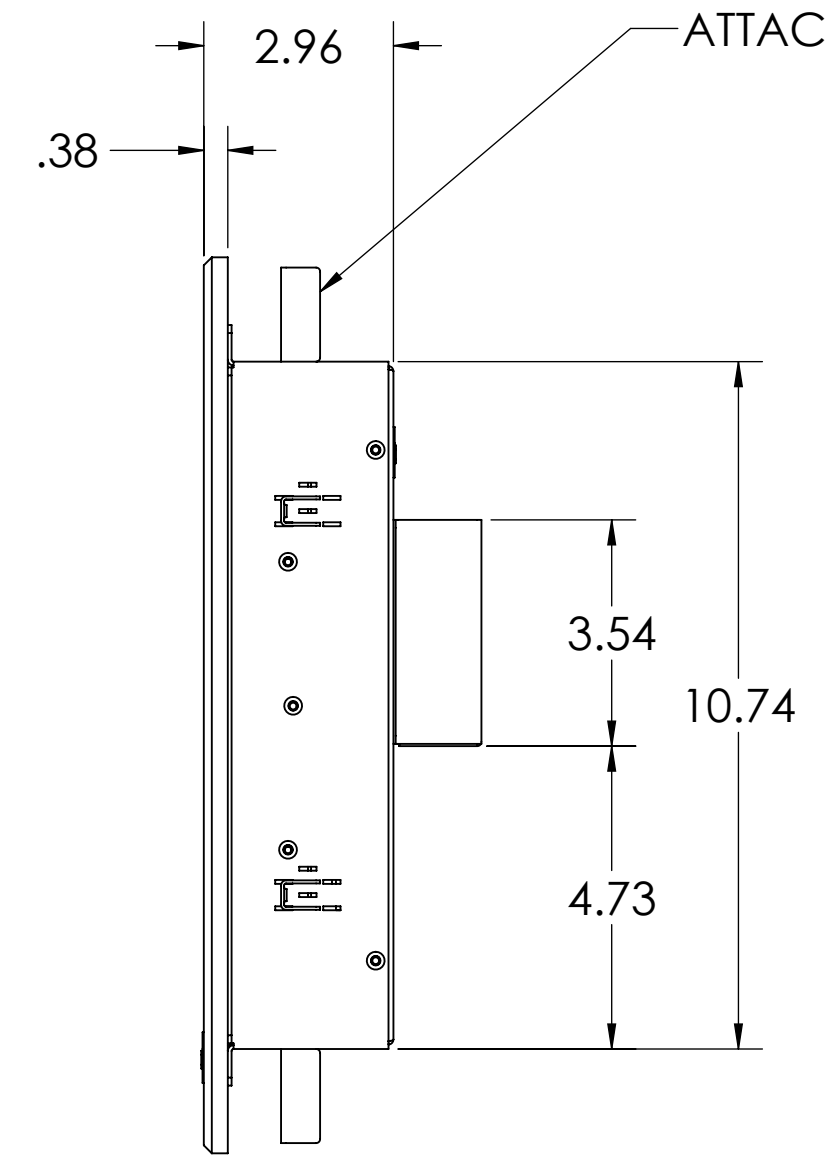


TOP VIEW



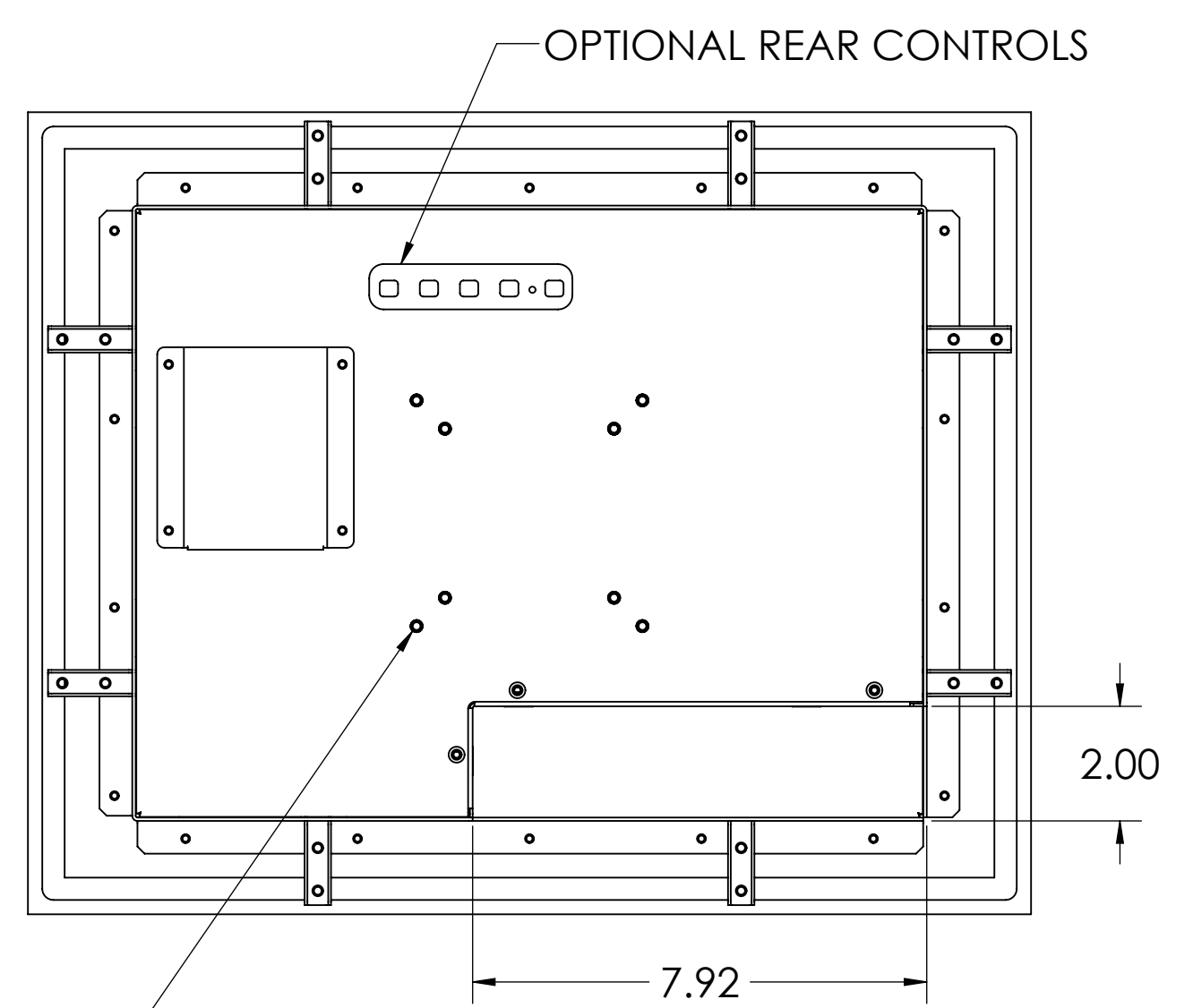
\* VIEWING AREA

FRONT VIEW



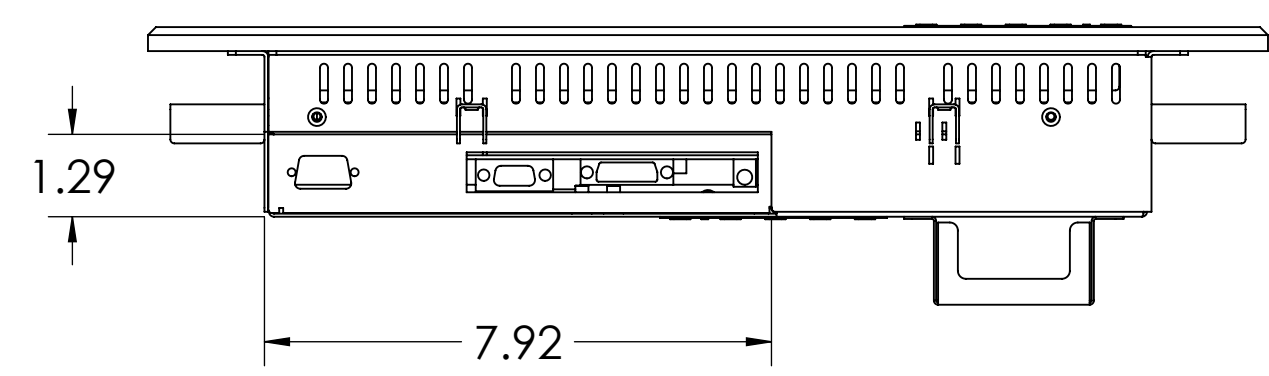
SIDE VIEW

ATTACHMENT BRKTS (8)



REAR VIEW

OPTIONAL VESA 75/100 MOUNTING



BOTTOM VIEW

**PROPRIETARY AND CONFIDENTIAL**  
 THE INFORMATION CONTAINED IN THIS DRAWING IS THE SOLE PROPERTY OF DYNAMIC DISPLAYS, INC. ANY REPRODUCTION IN PART OR AS A WHOLE WITHOUT THE WRITTEN PERMISSION OF DYNAMIC DISPLAYS, INC. IS PROHIBITED.

UNLESS OTHERWISE SPECIFIED:		DRAWN	NAME	DATE
DIMENSIONS ARE IN INCHES		ARJ	ARJ	8/11/07
TOLERANCES:		CHECKED		
FRACTIONAL ±		ENG APPR.		
ANGULAR: MATCH ± BEND ± .5°		MFG APPR.		
TWO PLACE DECIMAL ± .020		Q.A.		
THREE PLACE DECIMAL ± .010		COMMENTS:		
INTERPRET GEOMETRIC TOLERANCING PER: MATERIAL				
FINISH				
NEXT ASSY	USED ON			
APPLICATION	DO NOT SCALE DRAWING			

Dynamic Displays, Inc.		
TITLE:		
OUTLINE DRAWING, 15" NEMA, PANEL MNT		
SIZE	DWG. NO.	REV
<b>C</b>	0014117	01
SCALE: 1:2	SHEET 1 OF 1	