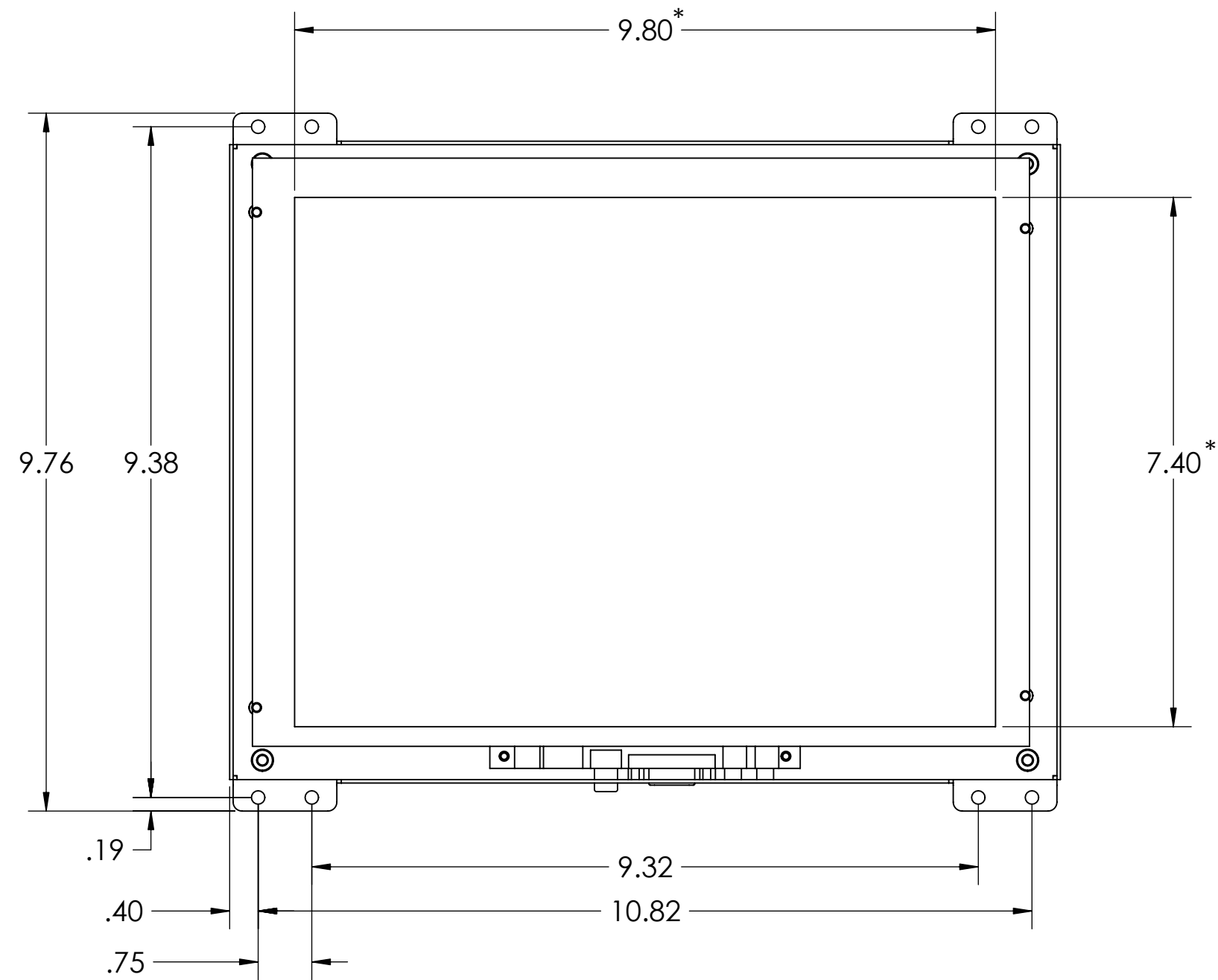
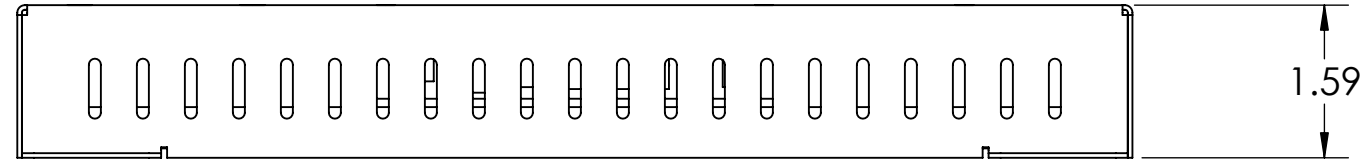
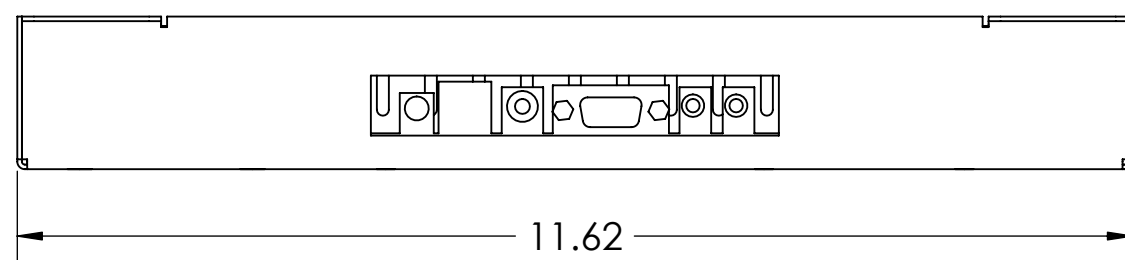


REVISIONS				
ZONE	REV.	DESCRIPTION	DATE	APPROVED
	01	PROTOTYPE RELEASE	12/10/2005	
	02	KEYPAD MOVED DOWN .36	1/16/2006	
	03	SUB D ADDED AND FOUR STANDOFFS ADDED	1/20/2006	
	04	SUB D MOVED, HOLES CHANGED & ADDED	9/25/2006	

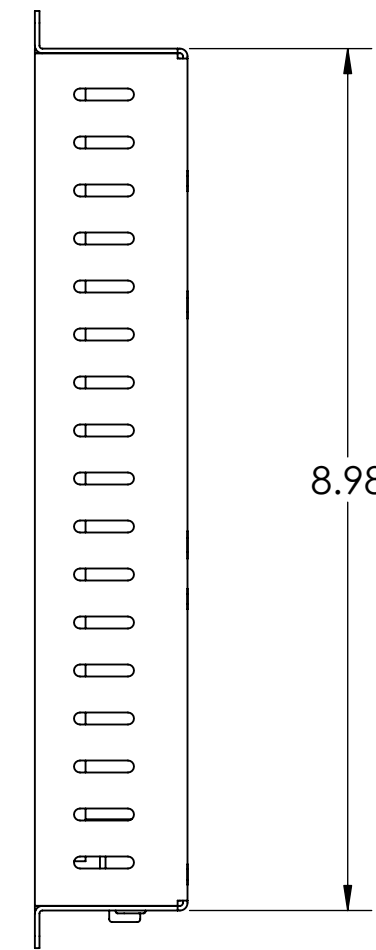
TOP VIEW



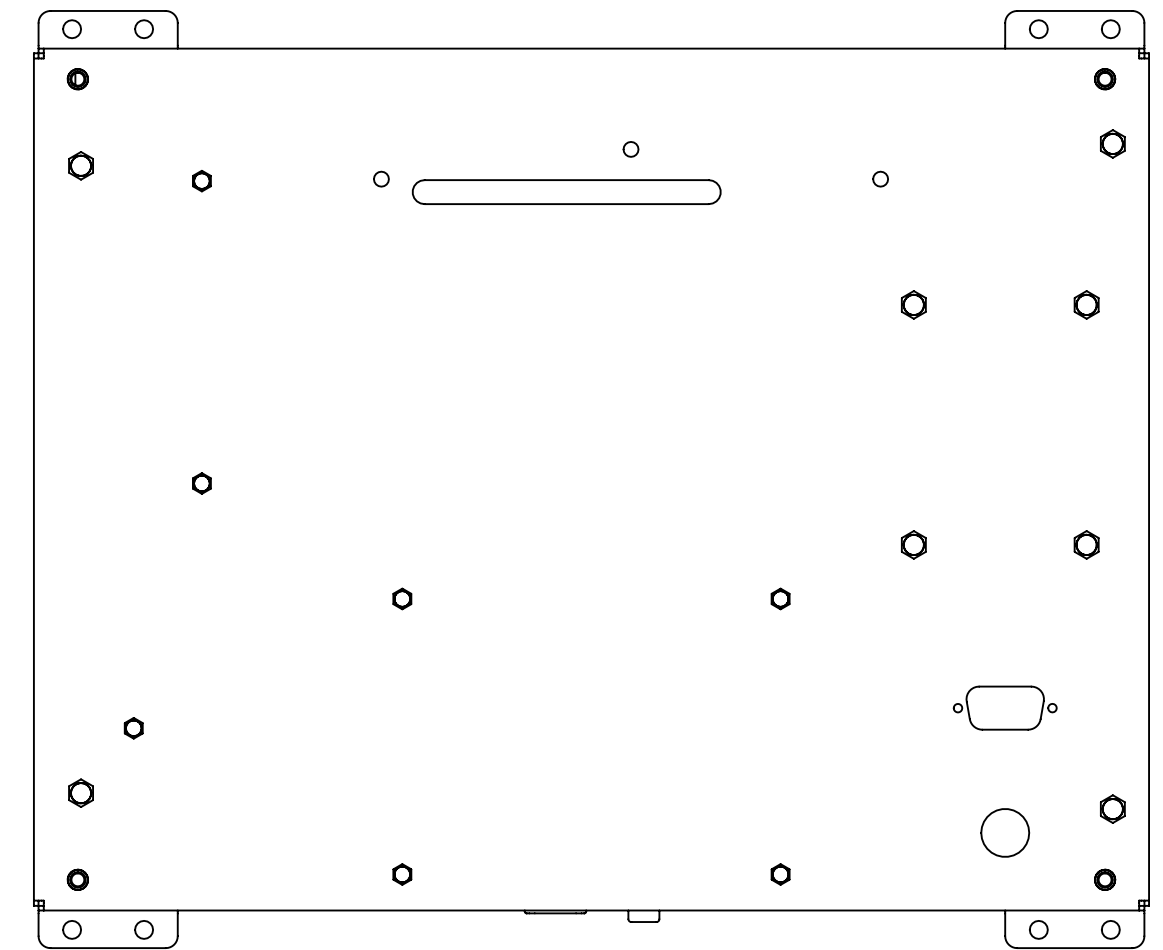
FRONT VIEW
(* VIEWING AREA)



BOTTOM VIEW



SIDE VIEW



REAR VIEW

PROPRIETARY AND CONFIDENTIAL
THE INFORMATION CONTAINED IN THIS DRAWING IS THE SOLE PROPERTY OF DYNAMIC DISPLAYS, INC. ANY REPRODUCTION IN PART OR AS A WHOLE WITHOUT THE WRITTEN PERMISSION OF DYNAMIC DISPLAYS, INC. IS PROHIBITED.

UNLESS OTHERWISE SPECIFIED:		NAME	DATE
DIMENSIONS ARE IN INCHES		DRAWN	ARJ 12/10/05
TOLERANCES:		CHECKED	
FRACTIONAL ±		ENG APPR.	
ANGULAR: MACH ± BEND ± .5°		MFG APPR.	
TWO PLACE DECIMAL ± .020		Q.A.	
THREE PLACE DECIMAL ± .010		COMMENTS:	
MATERIAL	GALVANEAL STEEL		
FINISH	NONE		
APPLICATION	DO NOT SCALE DRAWING		

Dynamic Displays, Inc.		
TITLE:		
OUTLINE, DRAWING, 12.1", FLT/PNL, O/F		
SIZE	DWG. NO.	REV
C	0014097	04
SCALE: 1:2	SHEET 1 OF 1	