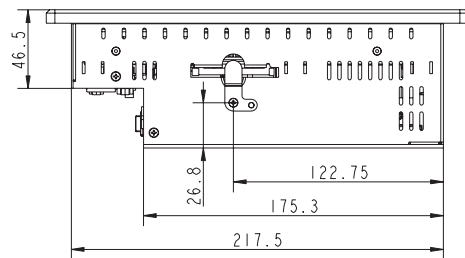
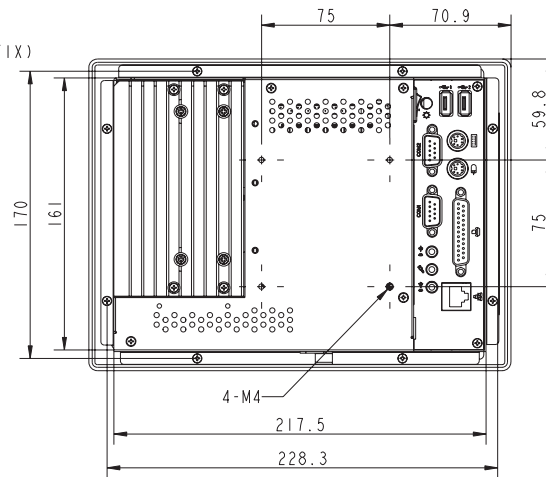
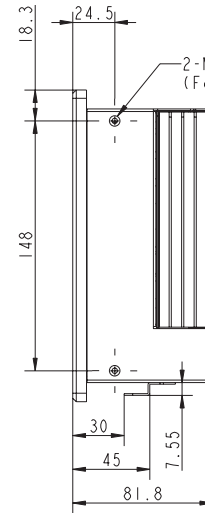
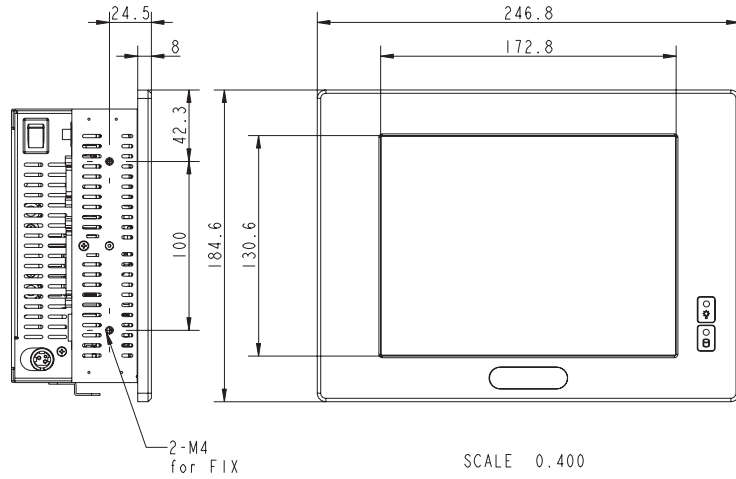


QES1508 F - Series Fanless and Low Power 8.4" Panel PC Outline Dimensions



Unit: mm

Dynamic Displays, Inc.
1625 Westage Road
Eau Claire, WI 54703
Phone: 715-835-9440
Fax: 715-835-2436
Sales Email: sales-ip@dynamicdisplay.com
WEB: dynamicdisplay.com & www.industrial-panels.com