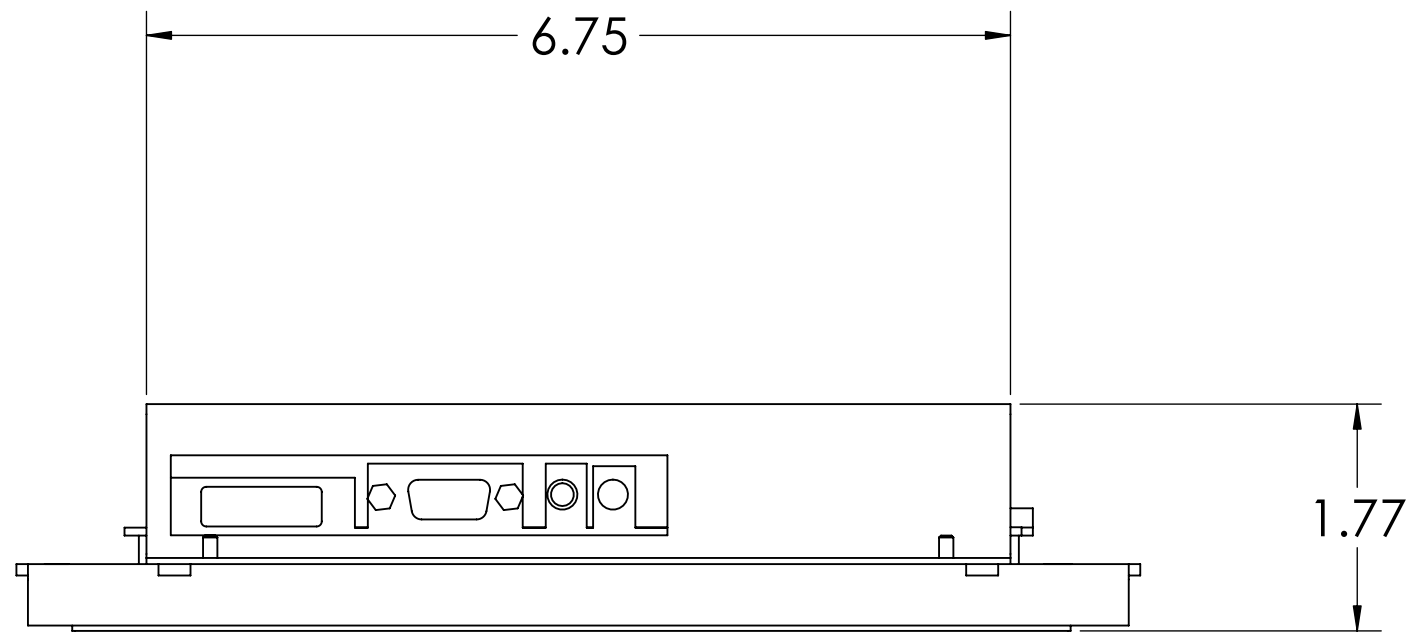
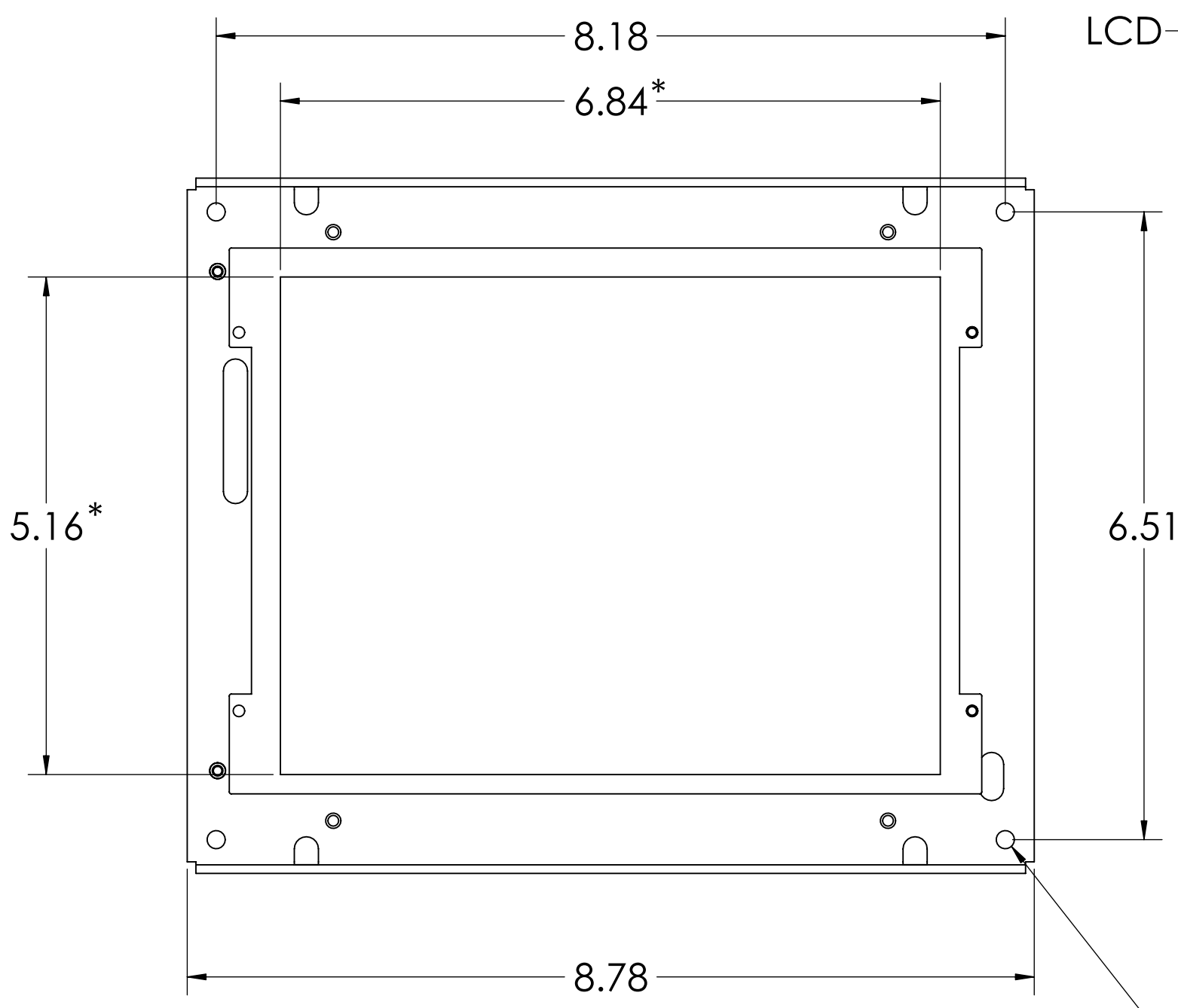


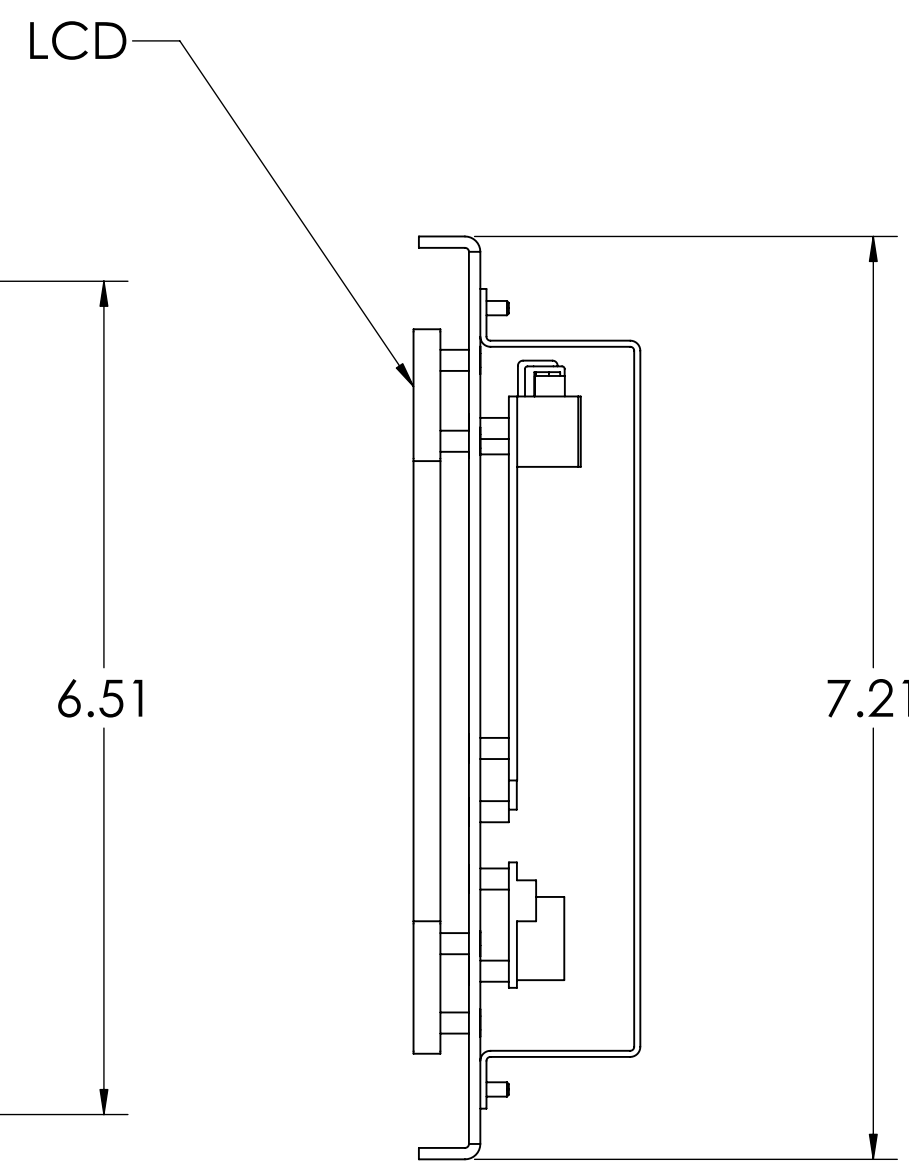
REVISIONS				
ZONE	REV.	DESCRIPTION	DATE	APPROVED
	01	PROTOTYPE RELEASE	12/2/2005	



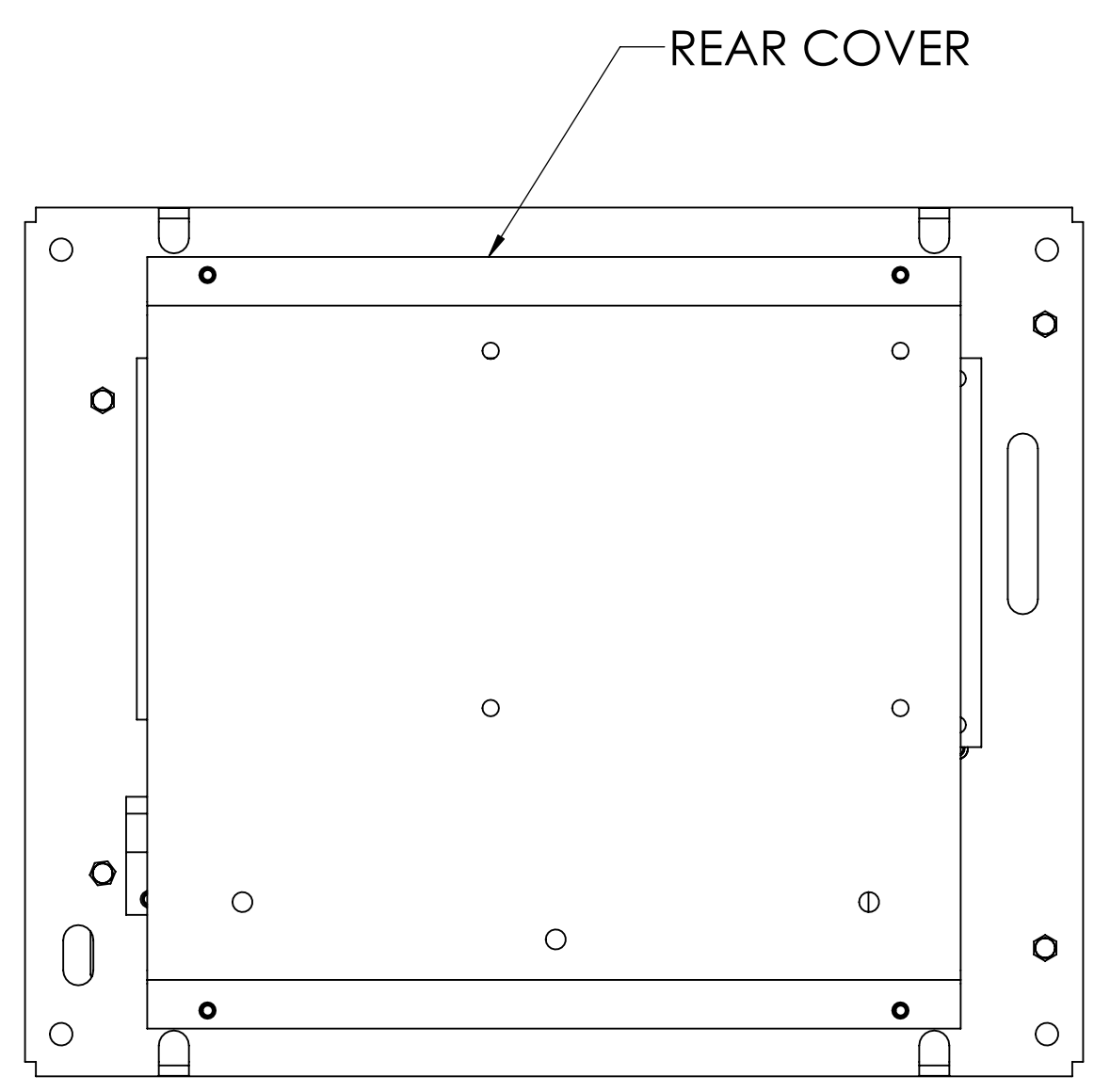
TOP VIEW



FRONT VIEW  
(\* LCD VIEWING AREA)



SIDE VIEW



REAR VIEW

CLEARANCE HOLES FOR 8-32 SCREWS

**PROPRIETARY AND CONFIDENTIAL**  
THE INFORMATION CONTAINED IN THIS DRAWING IS THE SOLE PROPERTY OF DYNAMIC DISPLAYS, INC. ANY REPRODUCTION IN PART OR AS A WHOLE WITHOUT THE WRITTEN PERMISSION OF DYNAMIC DISPLAYS, INC. IS PROHIBITED.

UNLESS OTHERWISE SPECIFIED:		NAME	DATE	Dynamic Displays, Inc.	
DIMENSIONS ARE IN INCHES		DRAWN	ARJ		12/2/05
TOLERANCES:		CHECKED			
FRACTIONAL ±		ENG APPR.			
ANGULAR: MACH ± BEND ± .5°		MFG APPR.			
TWO PLACE DECIMAL ± .020		Q.A.			
THREE PLACE DECIMAL ± .010		COMMENTS:			
INTERPRET GEOMETRIC TOLERANCING PER:					
MATERIAL					
FINISH					
NEXT ASSY	USED ON				
APPLICATION		DO NOT SCALE DRAWING			

TITLE:	OUTLINE DWG, OPEN FRAME, 8.4"		
SIZE	DWG. NO.	REV	
<b>C</b>	<b>0014109</b>	<b>01</b>	
SCALE: 1:2	SHEET 1 OF 1		