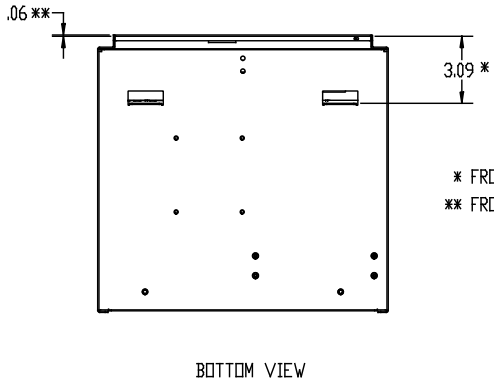
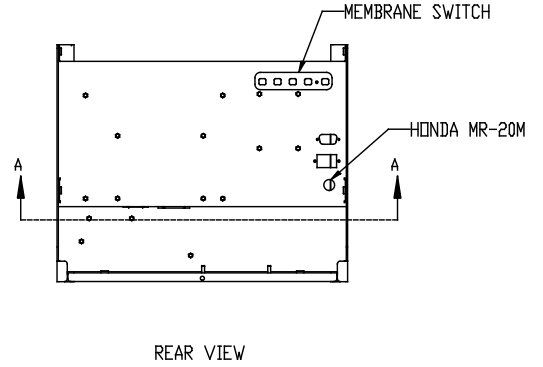
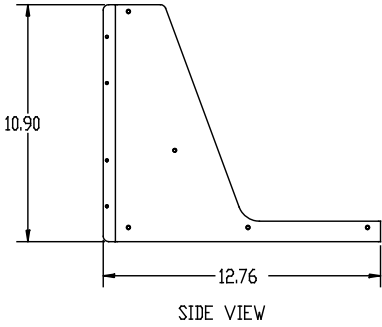
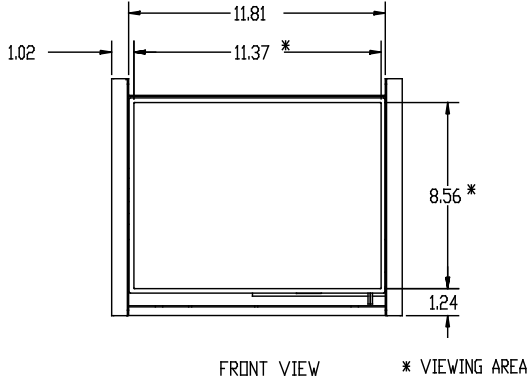
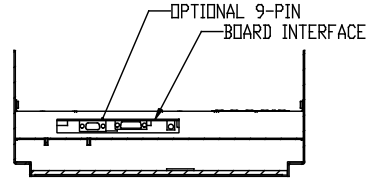
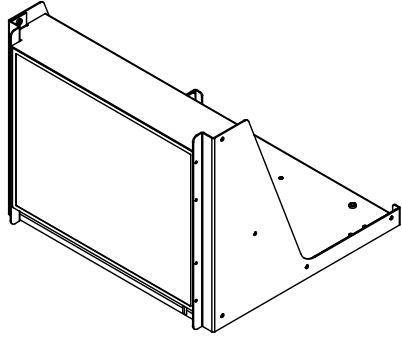
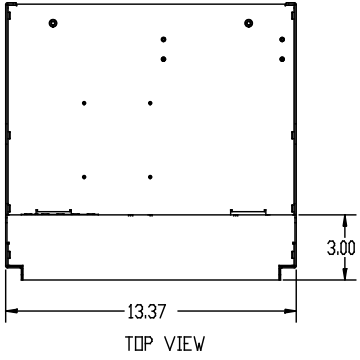


REVISIONS				
ZONE	REV.	DESCRIPTION	DATE	APPROVED
	01	PROTOTYPE RELEASE	7/12/08	
	02	BASE & BACK PANEL CHANGED	1/3/2009	



* FRONT OF LCD TO FRONT SURFACE OF FLANGES
** FRONT OF TOP AND SIDE SHEET METAL SURROUND TO FRONT OF LCD

UNLESS OTHERWISE SPECIFIED		DATE	Dynamic Displays, Inc.
INCHES	INCHES	7/12/08	TITLE
FRACTIONAL ±	CHECKED		OUTLINE DRAWING
ANGULAR EACH ±	ENG APPR.		14" FANUC
TWO PLACE DECIMAL ±	WFS APPR.		RETROFIT CHASSIS
THREE PLACE DECIMAL ±	QA		SIZE DWG. NL
INTERMET GEOMETRIC TOLERANCING PER	COMMENT		C 0014122
MATERIAL			REV 02
FINISH			SCALE: 1:4
NEXT ASSY	USED ON		SHEET 1 OF 1
APPLICATION	DO NOT SCALE DRAWING		

PROPRIETARY AND CONFIDENTIAL
THE INFORMATION CONTAINED IN THIS DRAWING IS THE SOLE PROPERTY OF DYNAMIC DISPLAYS, INC. ANY REPRODUCTION IN PART OR AS A WHOLE WITHOUT THE WRITTEN PERMISSION OF DYNAMIC DISPLAYS, INC. IS PROHIBITED.