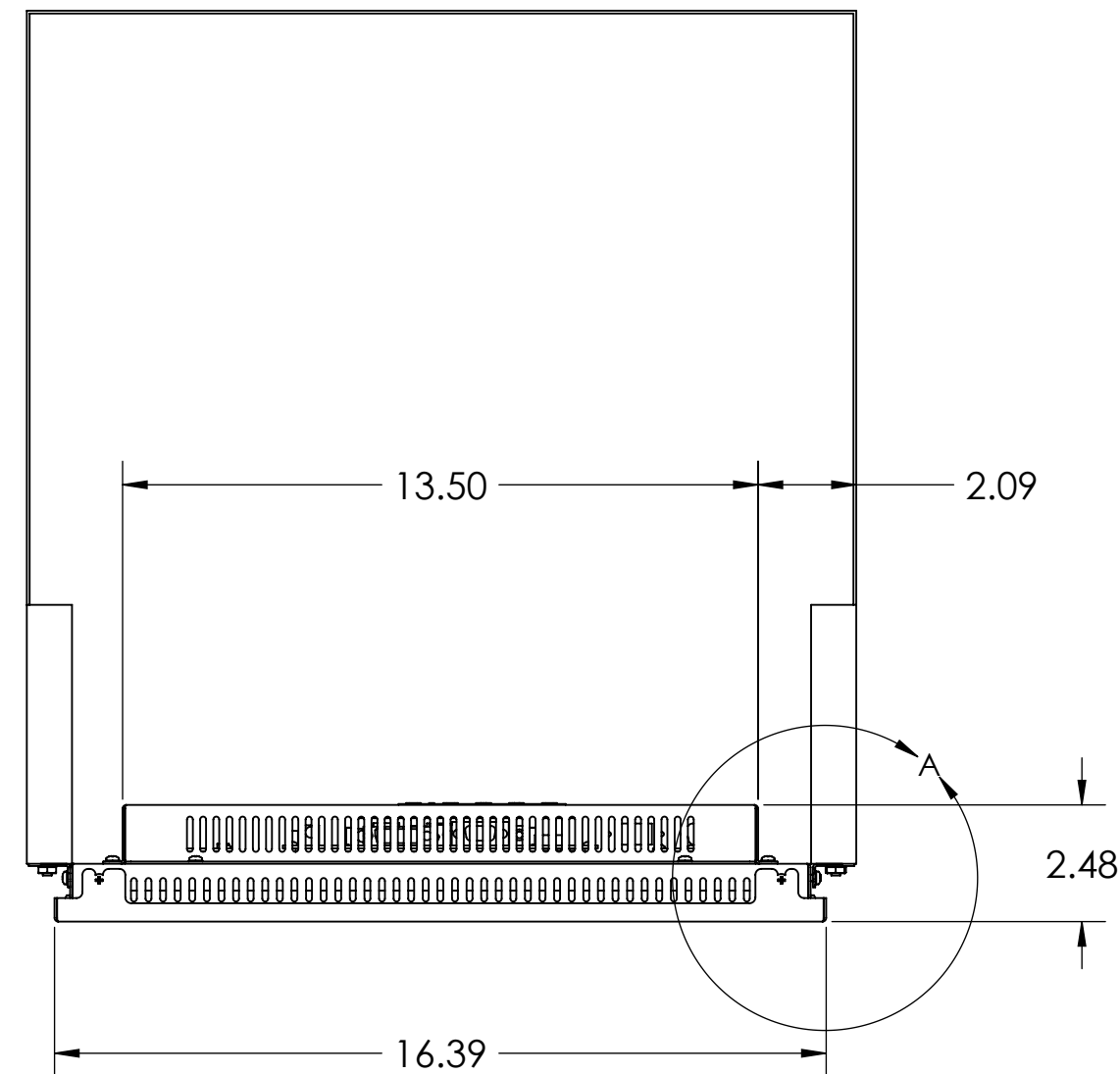
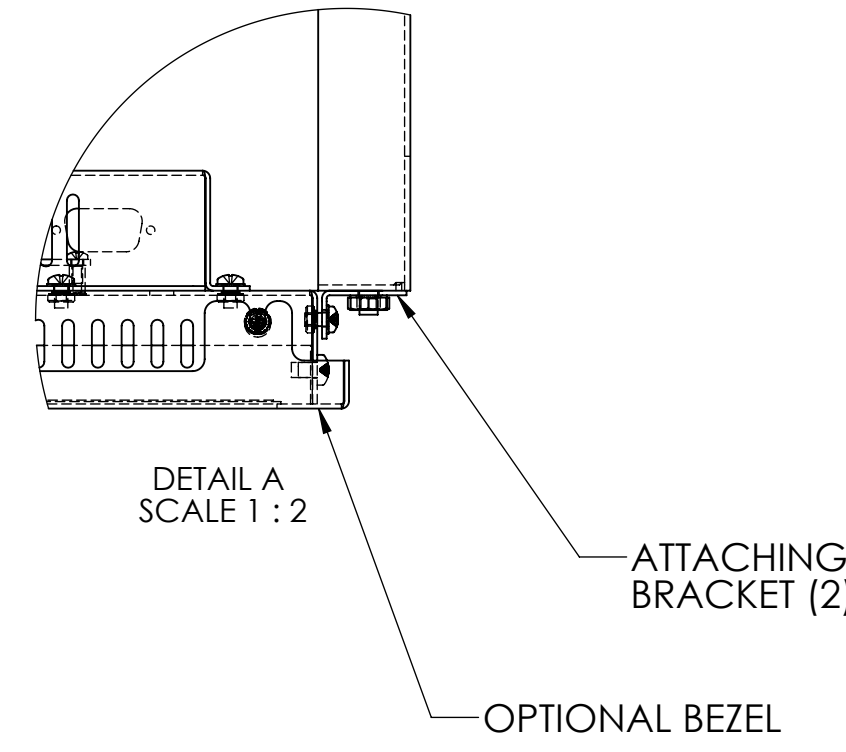


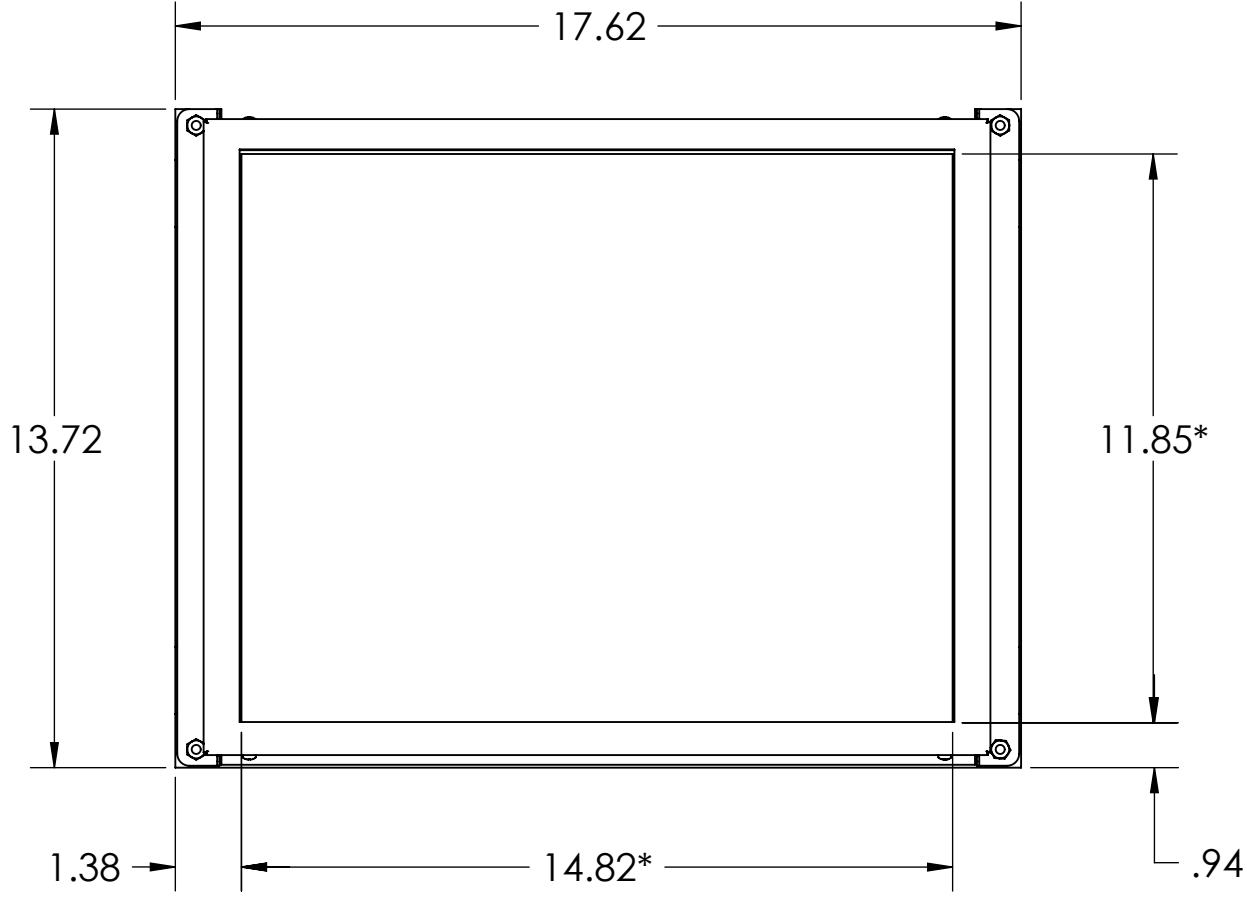
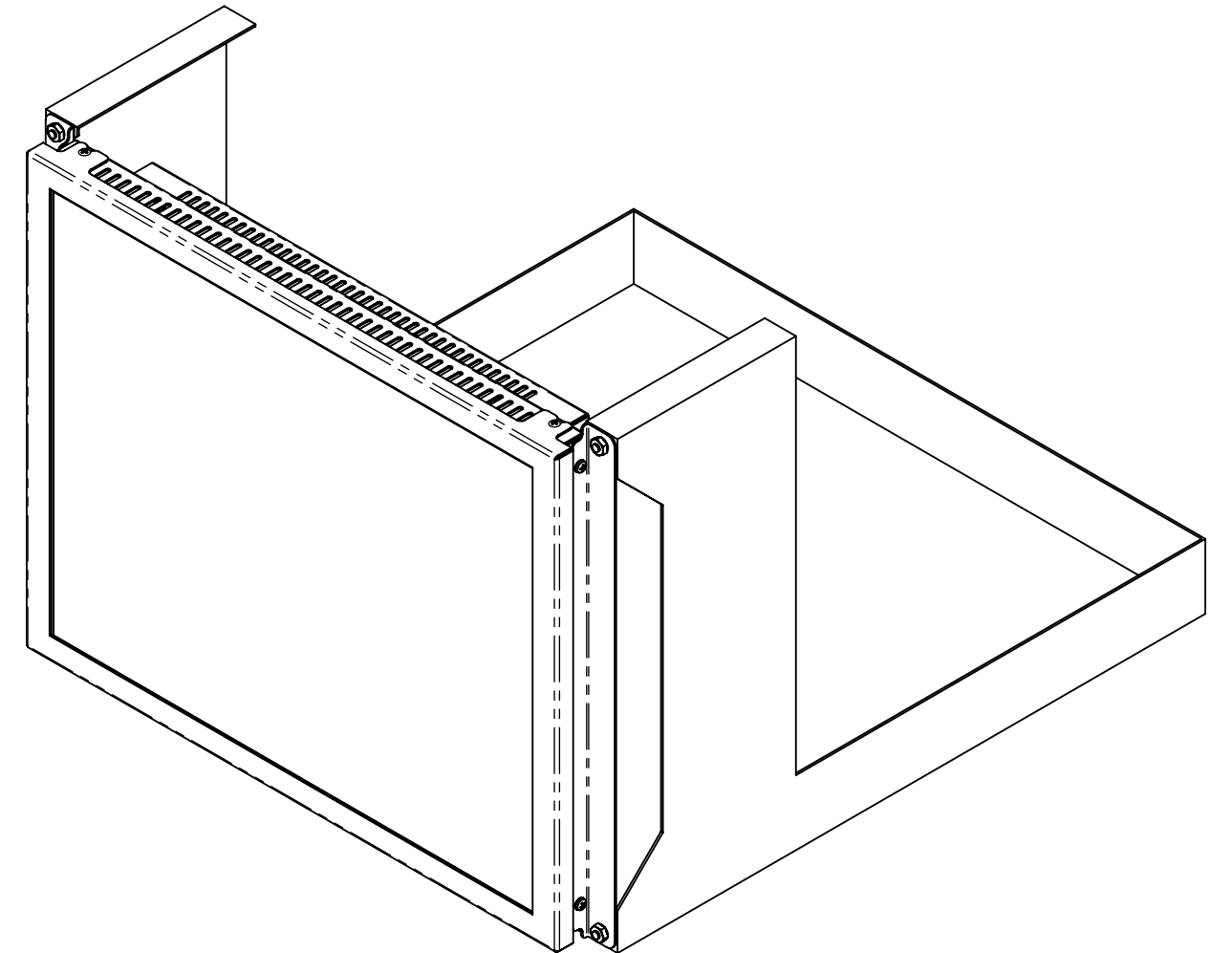
REVISIONS				
ZONE	REV.	DESCRIPTION	DATE	APPROVED
	01	INITIAL RELEASE	12/1/2009	
	02	INDIVIDUAL PARTS REVISED	6/26/2010	



TOP VIEW

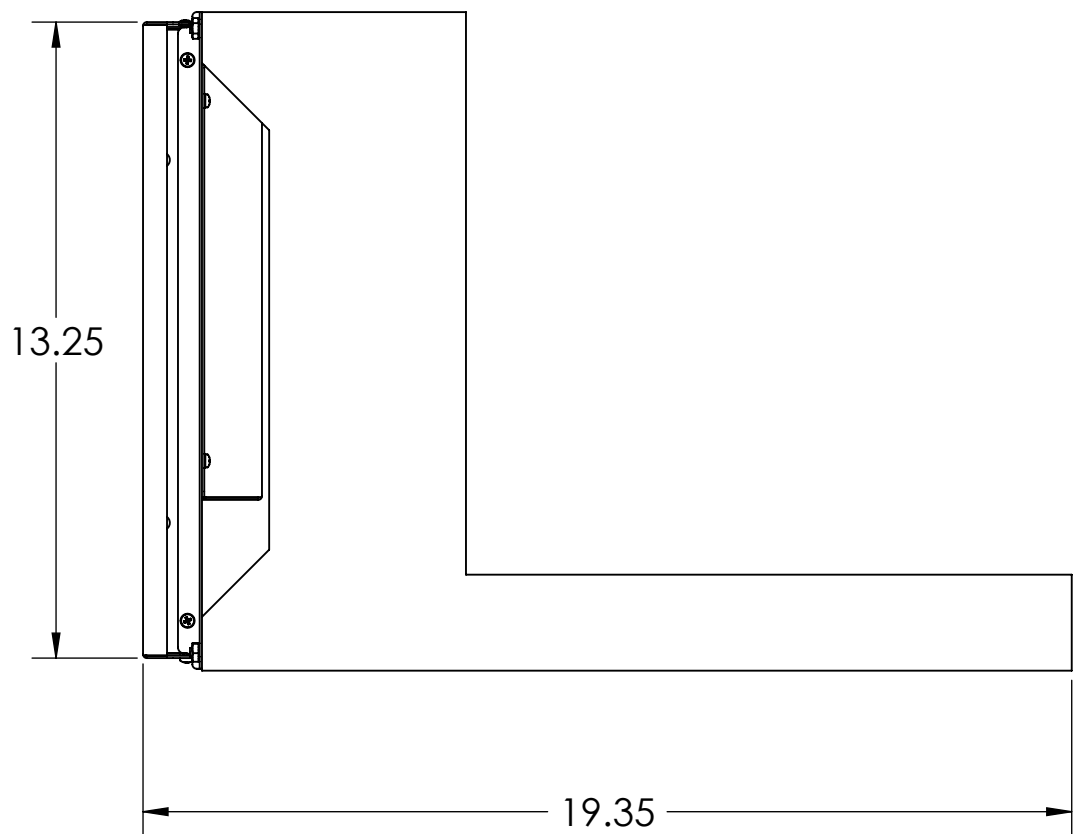


DETAIL A
SCALE 1:2
ATTACHING BRACKET (2)
OPTIONAL BEZEL

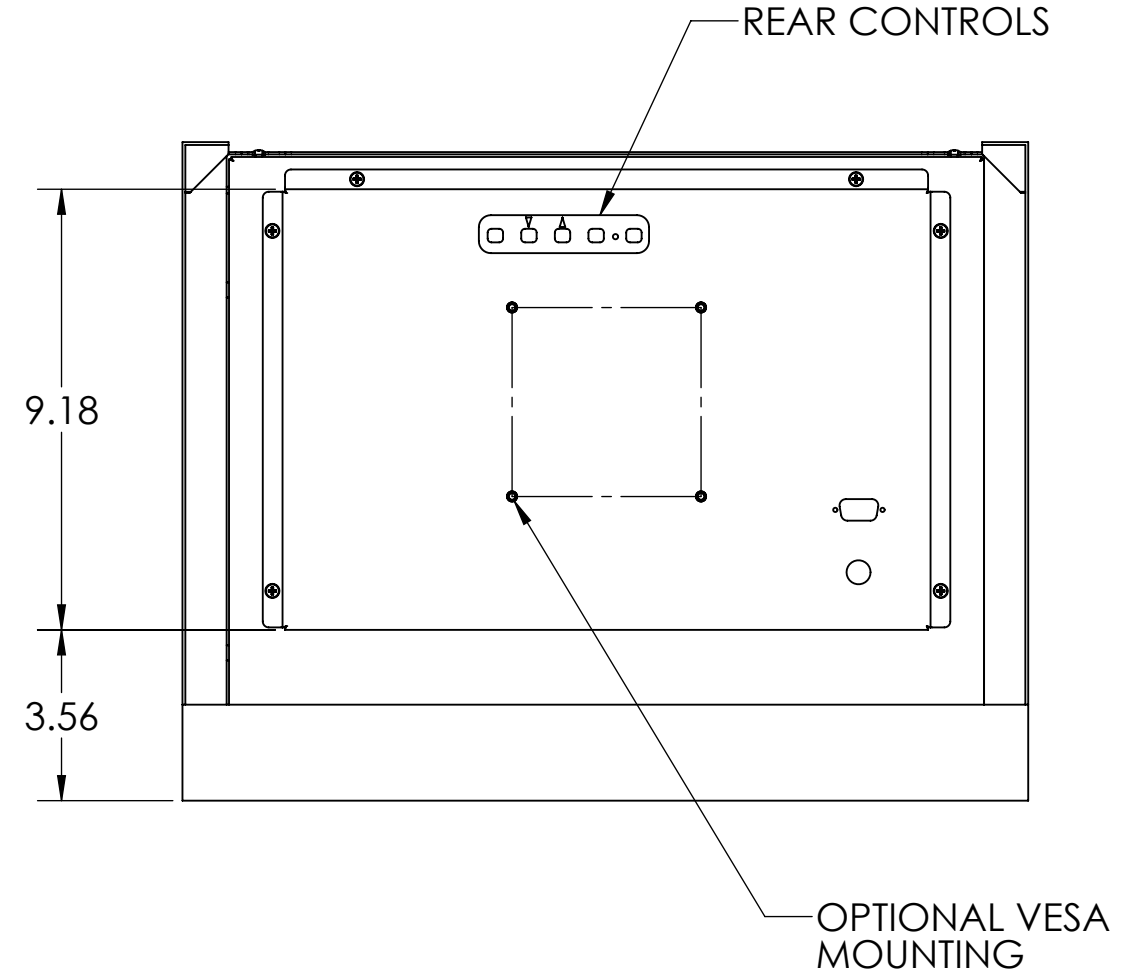


FRONT VIEW

* VIEWING AREA



RIGHT SIDE VIEW



REAR VIEW

PROPRIETARY AND CONFIDENTIAL
THE INFORMATION CONTAINED IN THIS DRAWING IS THE SOLE PROPERTY OF DYNAMIC DISPLAYS, INC. ANY REPRODUCTION IN PART OR AS A WHOLE WITHOUT THE WRITTEN PERMISSION OF DYNAMIC DISPLAYS, INC. IS PROHIBITED.

UNLESS OTHERWISE SPECIFIED:		NAME	DATE
DIMENSIONS ARE IN INCHES		DRAWN	ARJ 12/01/09
TOLERANCES:		CHECKED	
FRACTIONAL ±		ENG APPR.	
ANGULAR: MACH ± BEND ± .5°		MFG APPR.	
TWO PLACE DECIMAL ± .020		Q.A.	
THREE PLACE DECIMAL ± .010		COMMENTS:	
INTERPRET GEOMETRIC TOLERANCING PER:			
MATERIAL			
X			
FINISH			
X			
NEXT ASSY	USED ON		
APPLICATION	DO NOT SCALE DRAWING		

Dynamic Displays, Inc.		
TITLE:		
OUTLINE DWG, 20" CRT RETROFIT		
SIZE	DWG. NO.	REV
C	0014124	02
SCALE: 1:4	SHEET 1 OF 1	