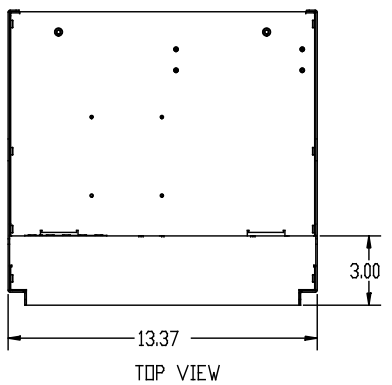
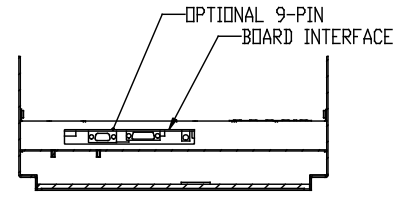
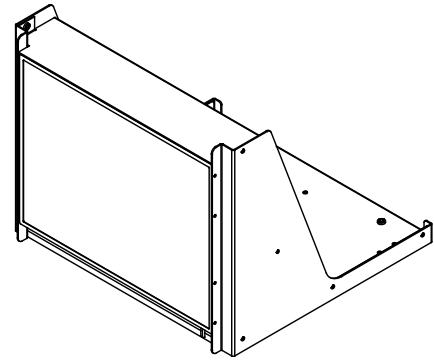


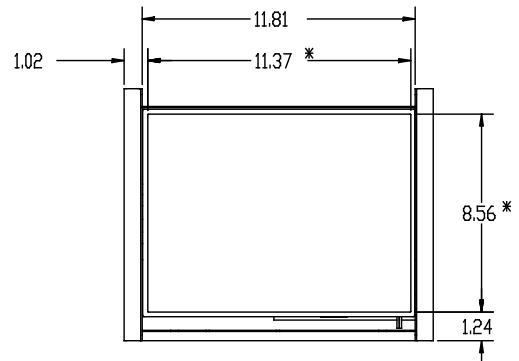
REVISIONS				
ZONE	REV.	DESCRIPTION	DATE	APPROVED
	01	PROTOTYPE RELEASE	7/12/08	
	02	BASE & BACK PANEL CHANGED	1/3/2009	



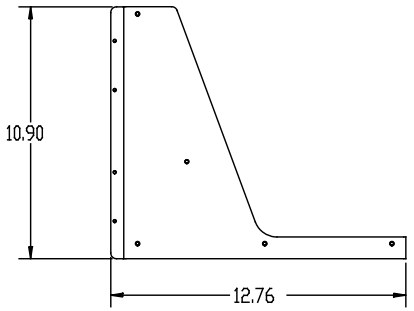
TOP VIEW



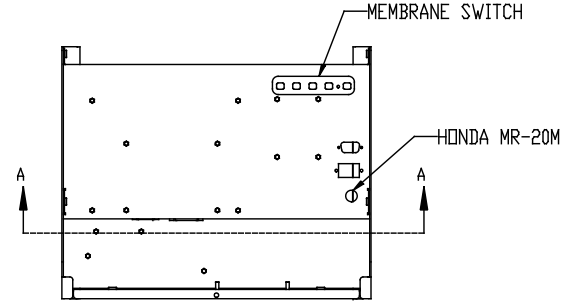
SECTION A-A



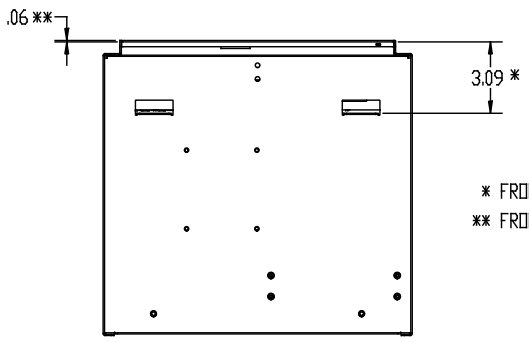
FRONT VIEW * VIEWING AREA



SIDE VIEW



REAR VIEW



BOTTOM VIEW

* FRONT OF LCD TO FRONT SURFACE OF FLANGES
 ** FRONT OF TOP AND SIDE SHEET METAL SURROUND TO FRONT OF LCD

PROPRIETARY AND CONFIDENTIAL
 THE INFORMATION CONTAINED IN THIS DRAWING IS THE SOLE PROPERTY OF DYNAMIC DISPLAYS, INC. AND REPRODUCTION IN WHOLE OR AS A WHOLE WITHOUT THE WRITTEN PERMISSION OF DYNAMIC DISPLAYS, INC. IS PROHIBITED.

UNLESS OTHERWISE SPECIFIED:		NAME	DATE	Dynamic Displays, Inc.
DIMENSIONS ARE IN INCHES		DRAWN	7/12/08	
TOLERANCES		CHECKED		
FRACTIONAL ±		ENG APPR.		
ANGULAR MATCH ±		MFG APPR.		TITLE:
TWO PLACE DECIMAL ± .005				OUTLINE DRAWING
THREE PLACE DECIMAL ± .002				14" FANUC
INTERPRET GEOMETRIC TOLERANCING PER		QA		RETROFIT CHASSIS
WATERL		COMMENTS:		SIZE DWG. NLT
FINISH				C 0014122
DO NOT SCALE DRAWING				REV
				02
SCALE: 14				SHEET 1 OF 1