

4

3

2

1

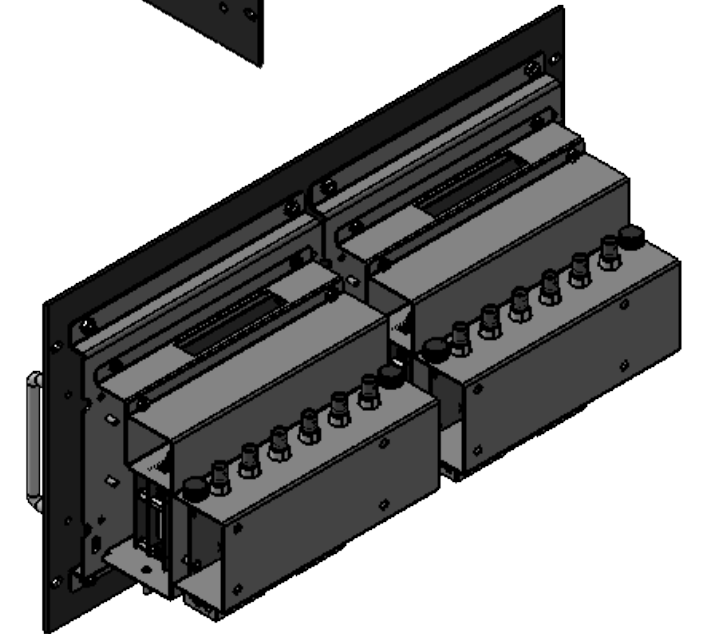
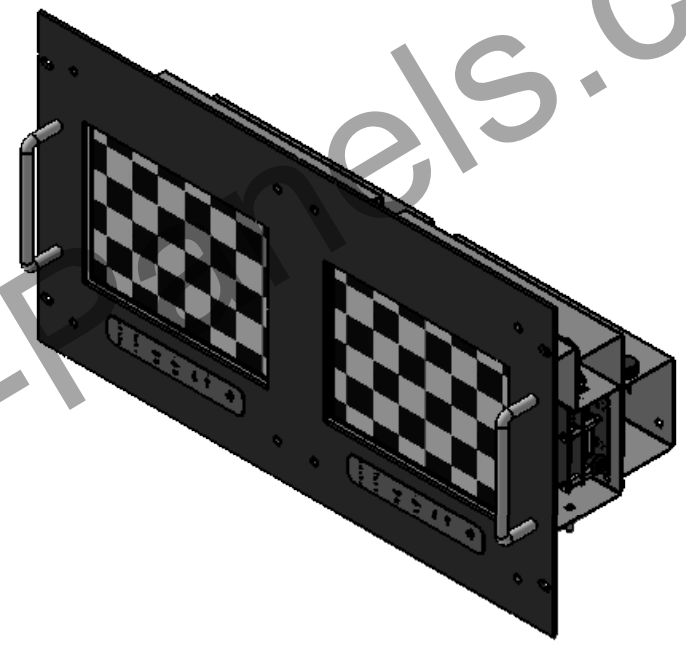
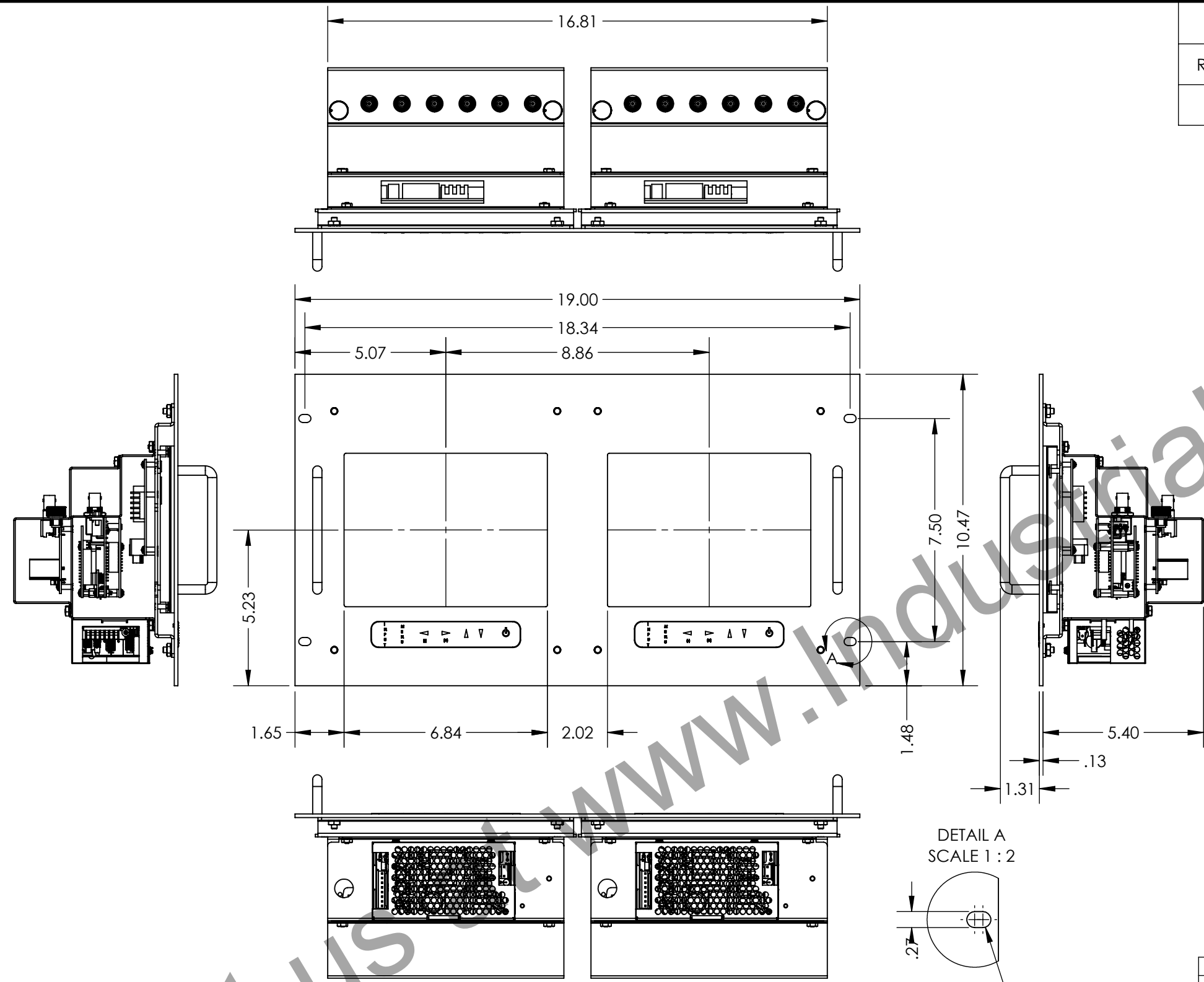
REV.	DESCRIPTION	DATE	APPROVED
1	RELEASE TO PRODUCTION	3/10/2016	OBM

B

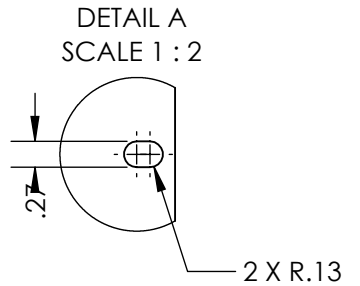
B

A

A



UNIT WEIGHT: 16.81 LBS.



PROPRIETARY AND CONFIDENTIAL
THE INFORMATION CONTAINED IN THIS DRAWING IS THE SOLE PROPERTY OF DYNAMIC DISPLAY, INC. ANY REPRODUCTION IN PART OR AS A WHOLE WITHOUT THE WRITTEN PERMISSION OF DYNAMIC DISPLAY, INC. IS PROHIBITED.

UNLESS OTHERWISE SPECIFIED:		NAME	DATE
DIMENSIONS ARE IN INCHES		OBM	3/16/2015
TOLERANCES:		DR	3/16/2015
FRACTIONAL ±		OBM	3/16/2015
ANGULAR: MACH ±	BEND ±.5°	TJP	3/16/2015
TWO PLACE DECIMAL	±.020	MRC	3/16/2015
THREE PLACE DECIMAL	±.010		
INTERPRET GEOMETRIC TOLERANCING PER:			
MATERIAL			
FINISH			
DO NOT SCALE DRAWING			

Dynamic Displays, Inc.		
TITLE:		
OUTLINE DWG, DUAL 8.4", RM CHASSIS		
SIZE	DWG. NO.	REV
B	0014143	01
SCALE: 1:4	WEIGHT: 16.81	SHEET 1 OF 1