

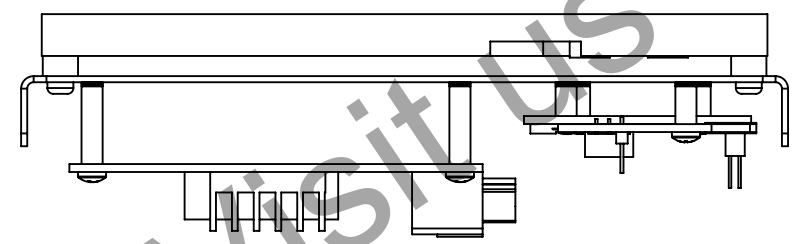
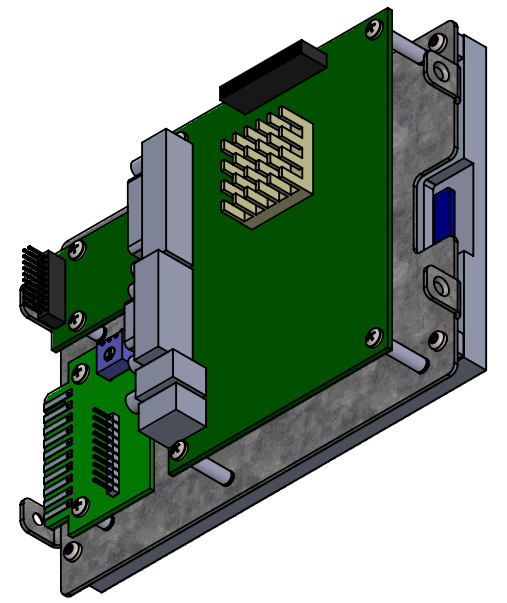
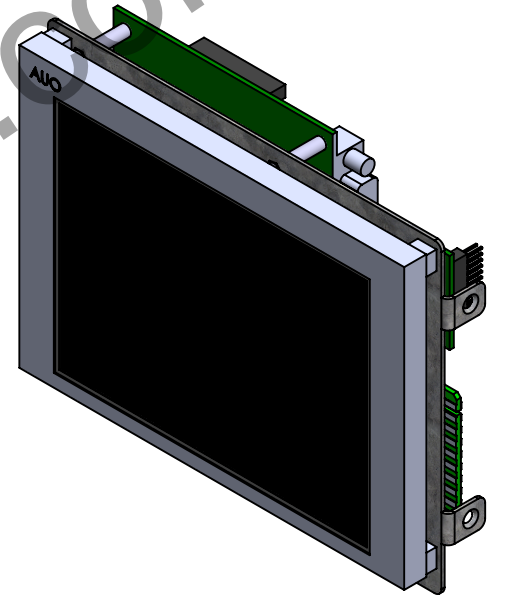
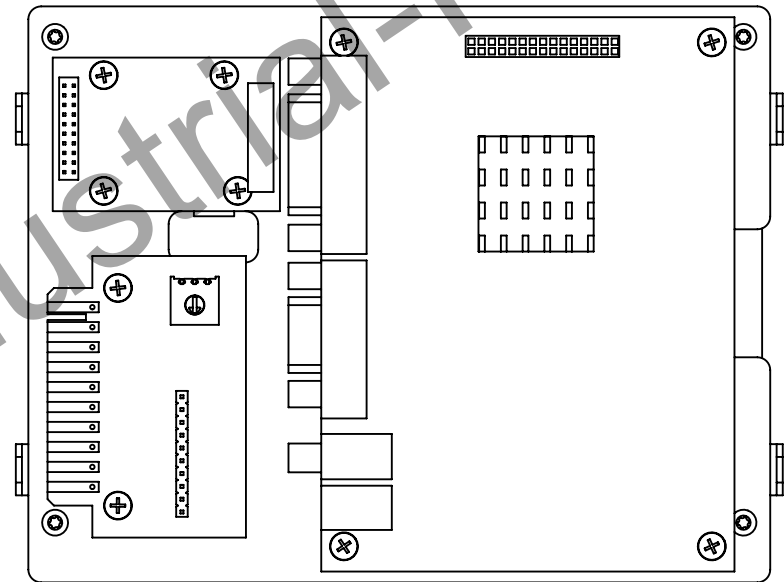
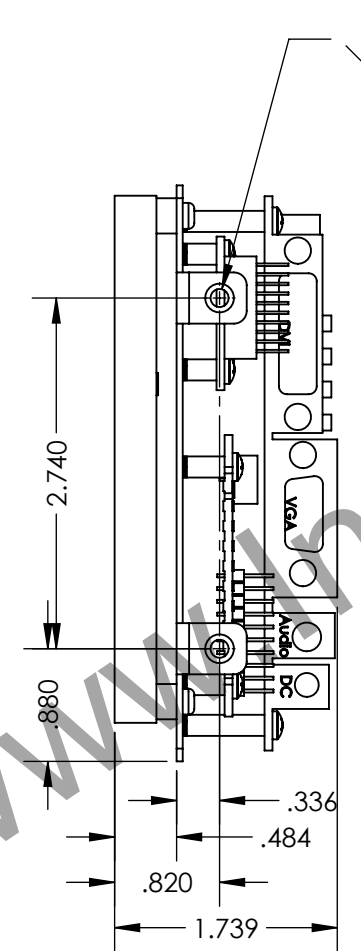
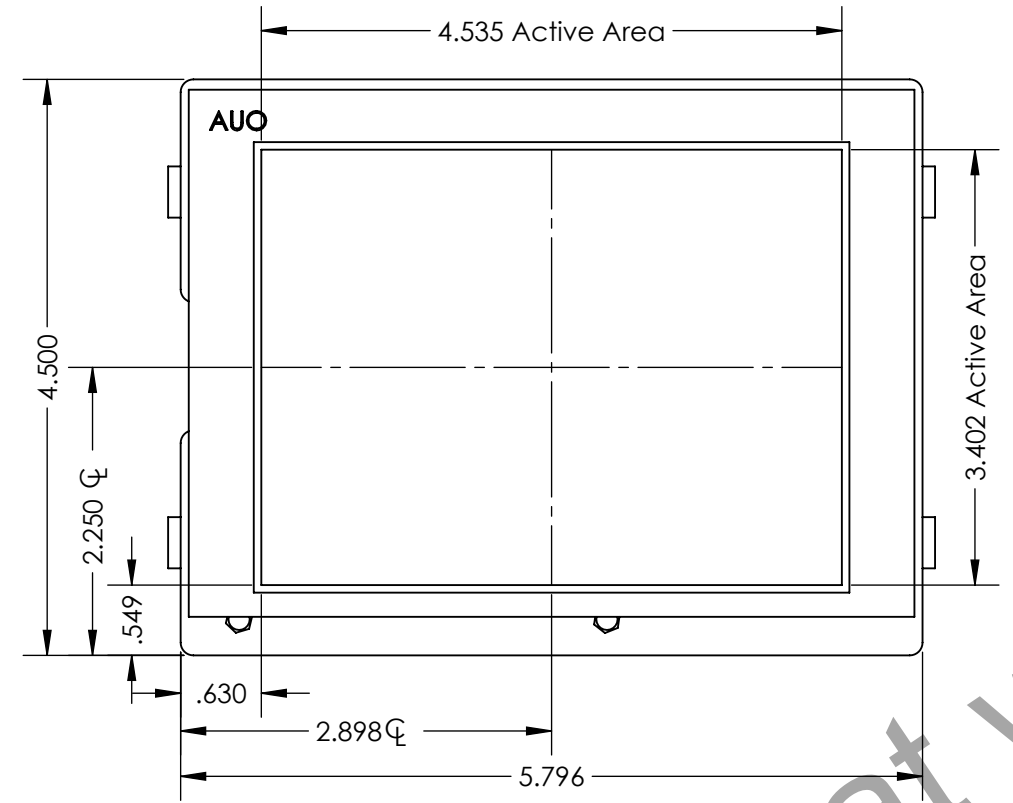
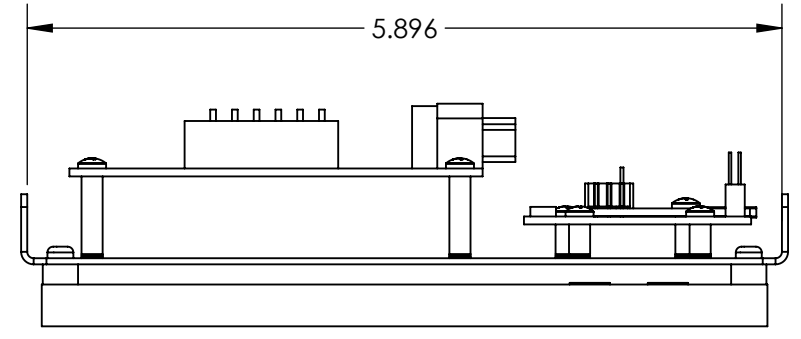
4

3

2

1

REV.	DESCRIPTION	DATE	APPROVED
01	PROTOTYPE RELEASE	5/12/2016	OBM



UNLESS OTHERWISE SPECIFIED:		NAME	DATE
DIMENSIONS ARE IN INCHES		DRAWN	OBM 3/16/2015
TOLERANCES:		CHECKED	DR 3/16/2015
FRACTIONAL ±		ENG APPR.	OBM 3/16/2015
ANGULAR: MACH ± BEND ±		MFG APPR.	TJP 3/16/2015
TWO PLACE DECIMAL ±		Q.A.	MRC 3/16/2015
THREE PLACE DECIMAL ±		COMMENTS:	
INTERPRET GEOMETRIC TOLERANCING PER:			
MATERIAL			
FINISH			
FINISH			
DO NOT SCALE DRAWING			

PROPRIETARY AND CONFIDENTIAL
 THE INFORMATION CONTAINED IN THIS DRAWING IS THE SOLE PROPERTY OF DYNAMIC DISPLAY, INC. ANY REPRODUCTION IN PART OR AS A WHOLE WITHOUT THE WRITTEN PERMISSION OF DYNAMIC DISPLAY, INC. IS PROHIBITED.

Dynamic Displays, Inc.		
TITLE:		
OUTLINE, DWG, 5.6" LCD OPEN FRAME		
SIZE	DWG. NO.	REV
B	0014145	01
SCALE: 1:1.5		SHEET 1 OF 1

4

3

2

1