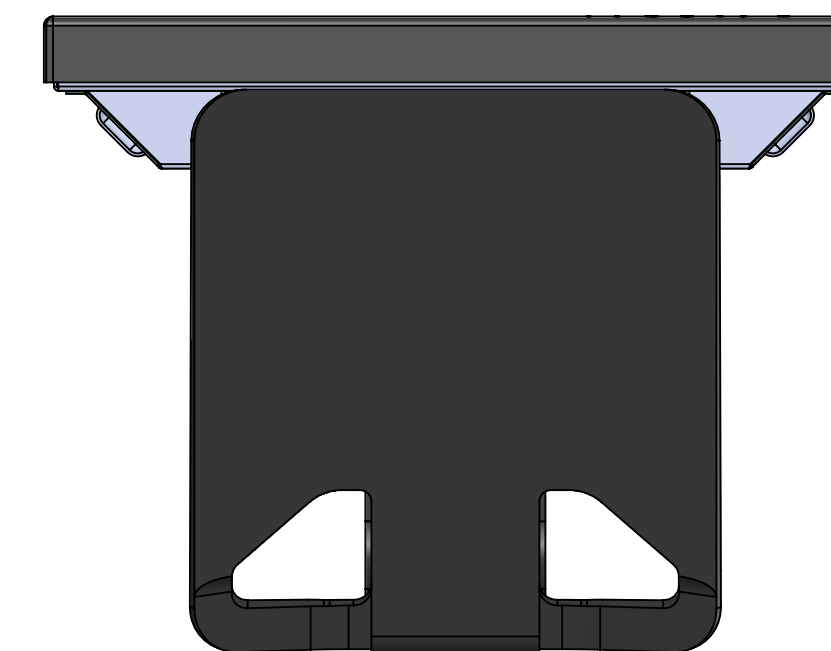
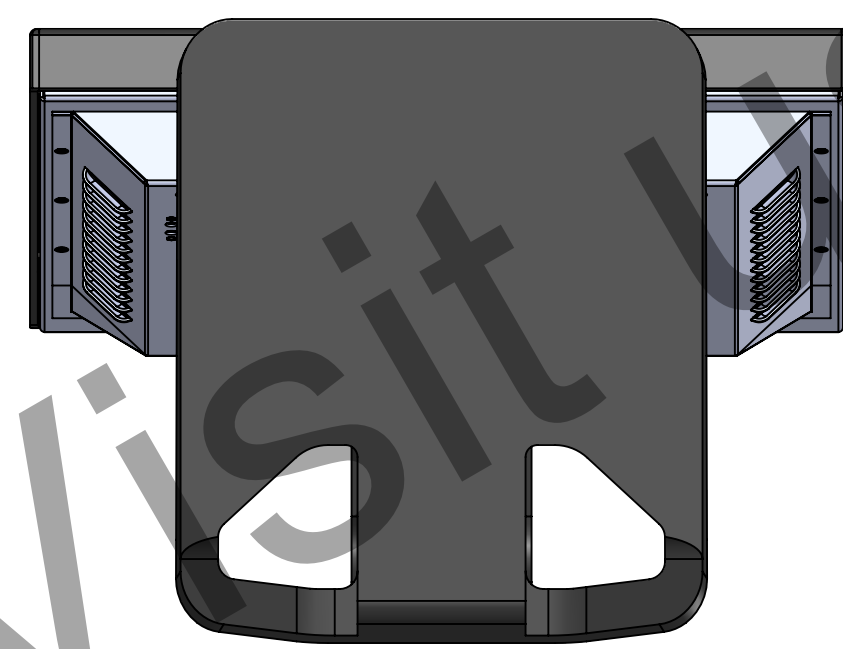
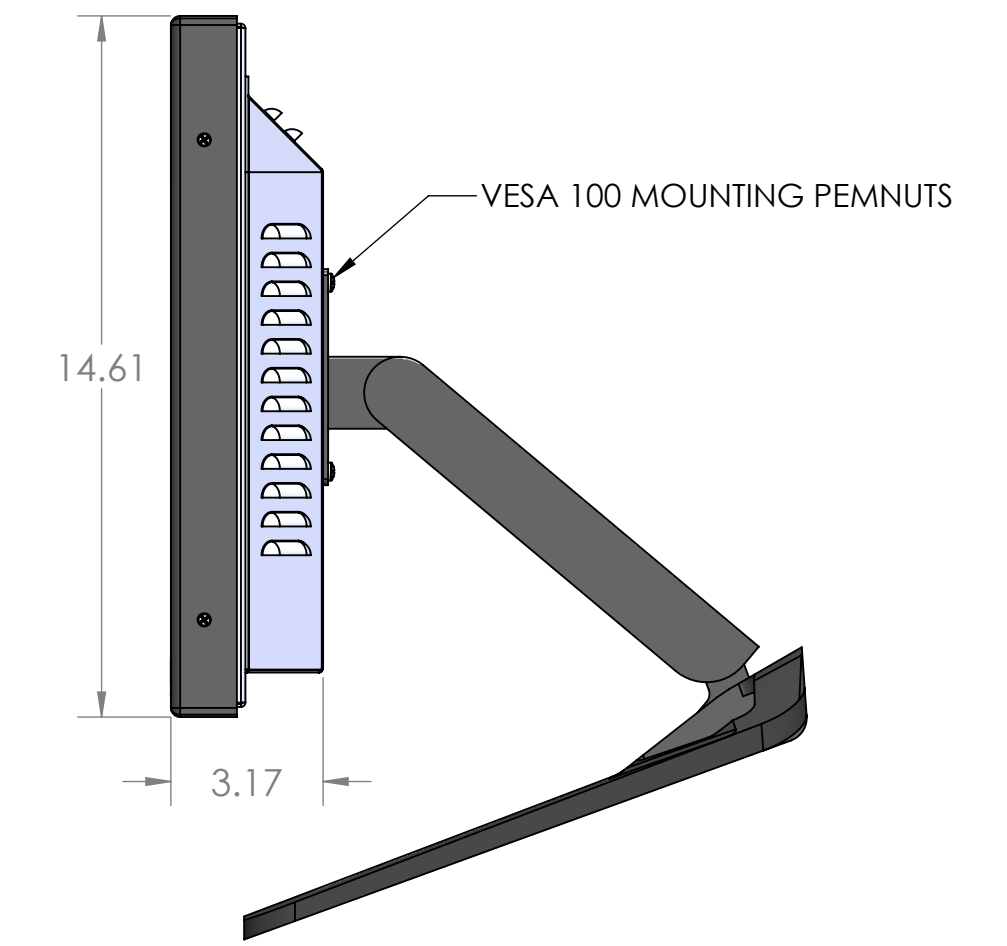
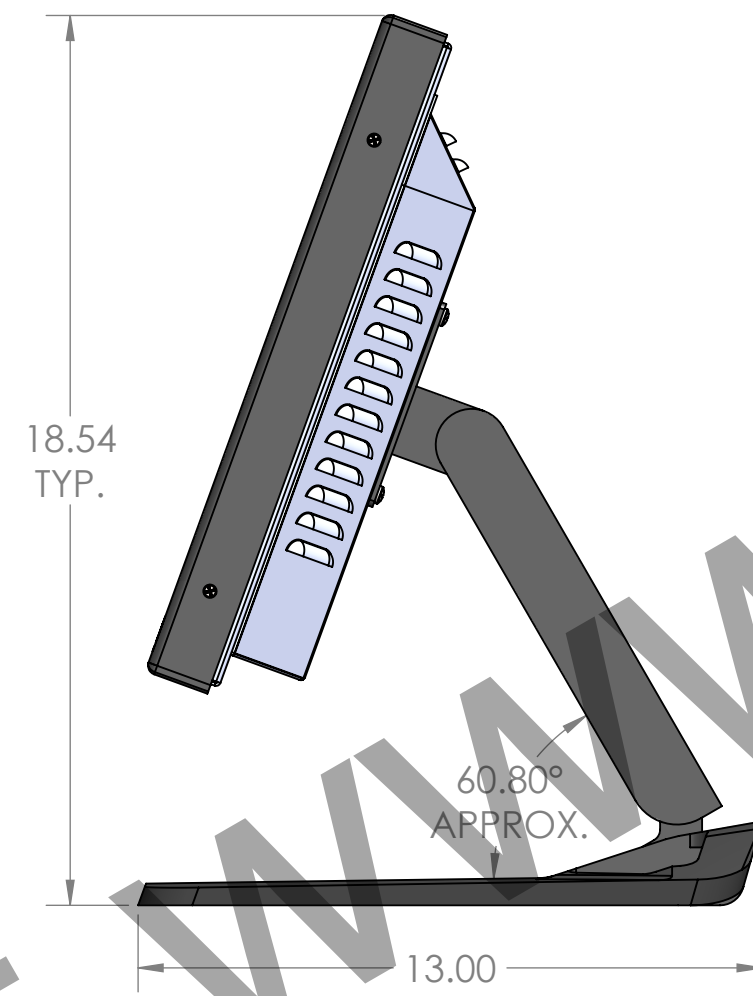
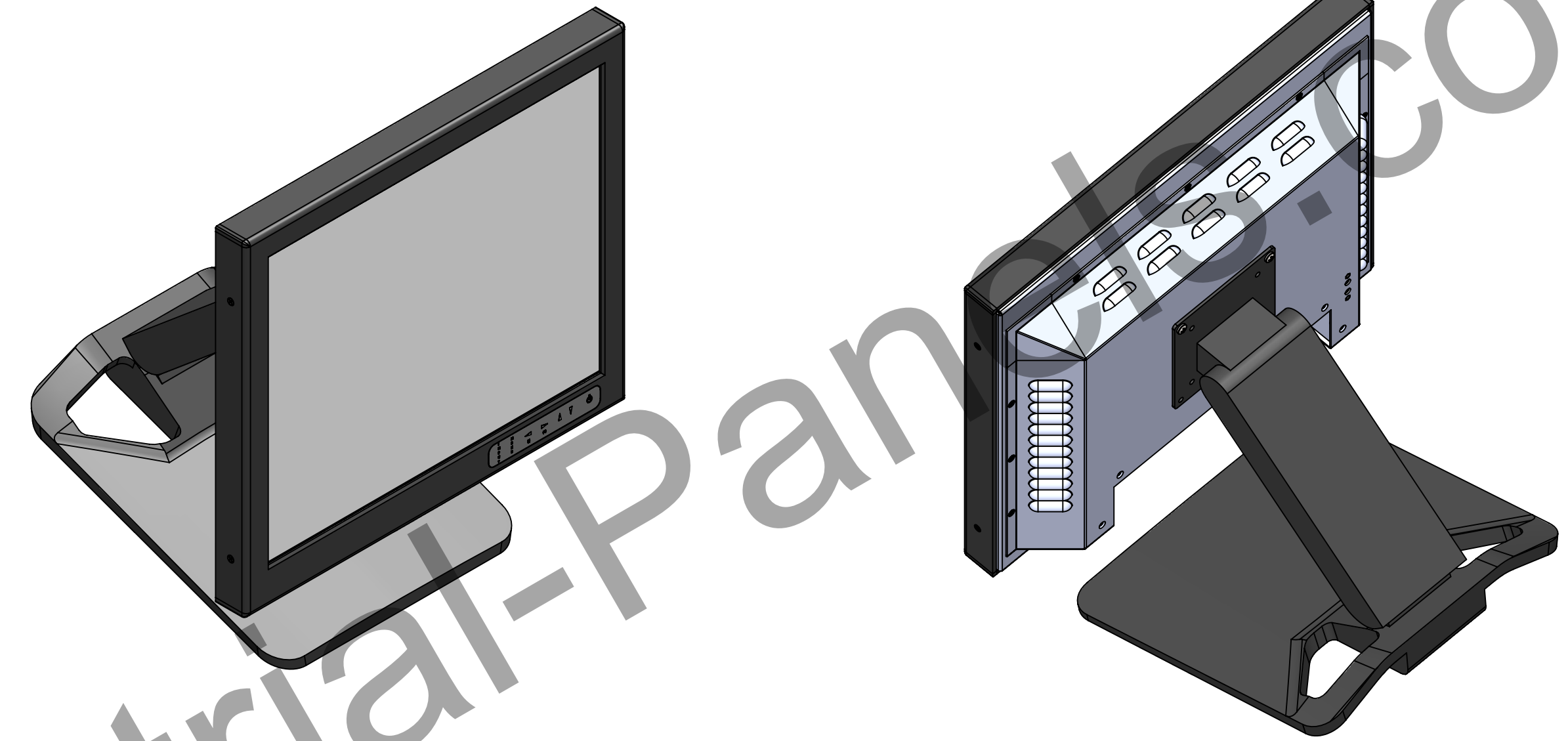
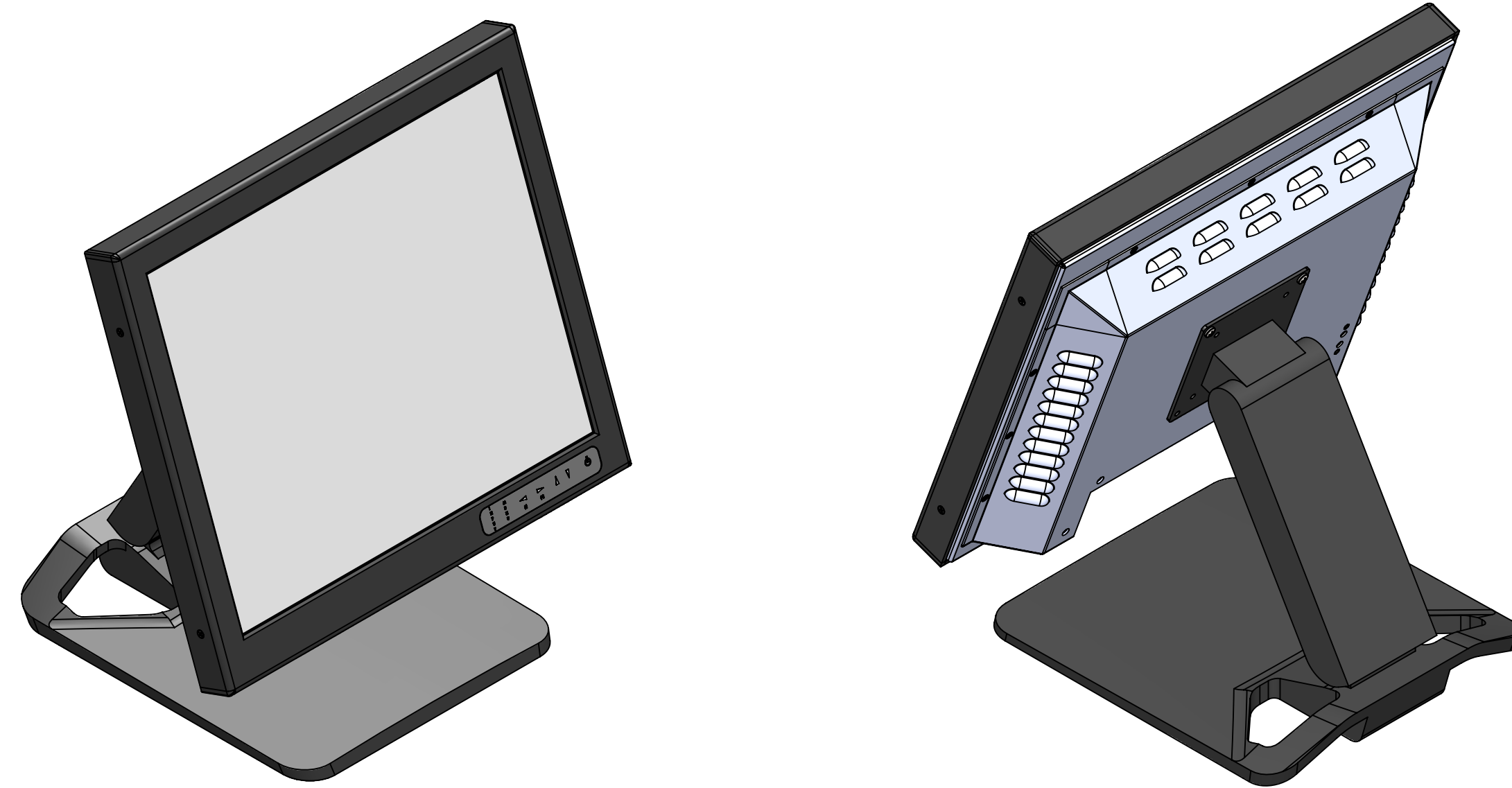


# 19" LCD Desktop Monitor Tilt & Swivel Base Reference

# 19" LCD Desktop Monitor Metal Enclosure Reference

REVISIONS			
REV.	DESCRIPTION	DATE	APPROVED
01	PROTOTYPE RELEASE	2/8/2013	
02	MOVED EXPLODED VIEW TO SHEET 2; MADE CHGS TO PARTS	4/30/2013	
03	REPLACED 33-310-060 WITH 33-387-085	10/6/0214	



<small>UNLESS OTHERWISE SPECIFIED: DIMENSIONS ARE IN INCHES TOLERANCES: FRACTIONAL ± ANGULAR: MACH ± BEND ± TWO PLACE DECIMAL ± THREE PLACE DECIMAL ±</small>	NAME	DATE	Dynamic Displays, Inc. TITLE: <b>OUTLINE DWG 19"</b> <b>FLT/PNL,MTL ENCL</b>
	DRAWN	5/13/2015	
	CHECKED	DR 05/13/15	
	ENG APPR.	OBM 05/13/15	
	MFG APPR.	TJP 05/13/15	
	Q.A.	MRC 5/13/2015	
<small>PROPRIETARY AND CONFIDENTIAL THE INFORMATION CONTAINED IN THIS DRAWING IS THE SOLE PROPERTY OF DYNAMIC DISPLAYS, INC. ANY REPRODUCTION IN PART OR AS A WHOLE WITHOUT THE WRITTEN PERMISSION OF DYNAMIC DISPLAYS, INC. IS PROHIBITED.</small>			INTERPRET GEOMETRIC TOLERANCING PER: MATERIAL: ERROR!Material FINISH: ERROR!Finish DO NOT SCALE DRAWING
SIZE DWG. NO. <b>D 0014137</b>		REV <b>03</b>	SCALE: 1:4 SHEET 1 OF 1