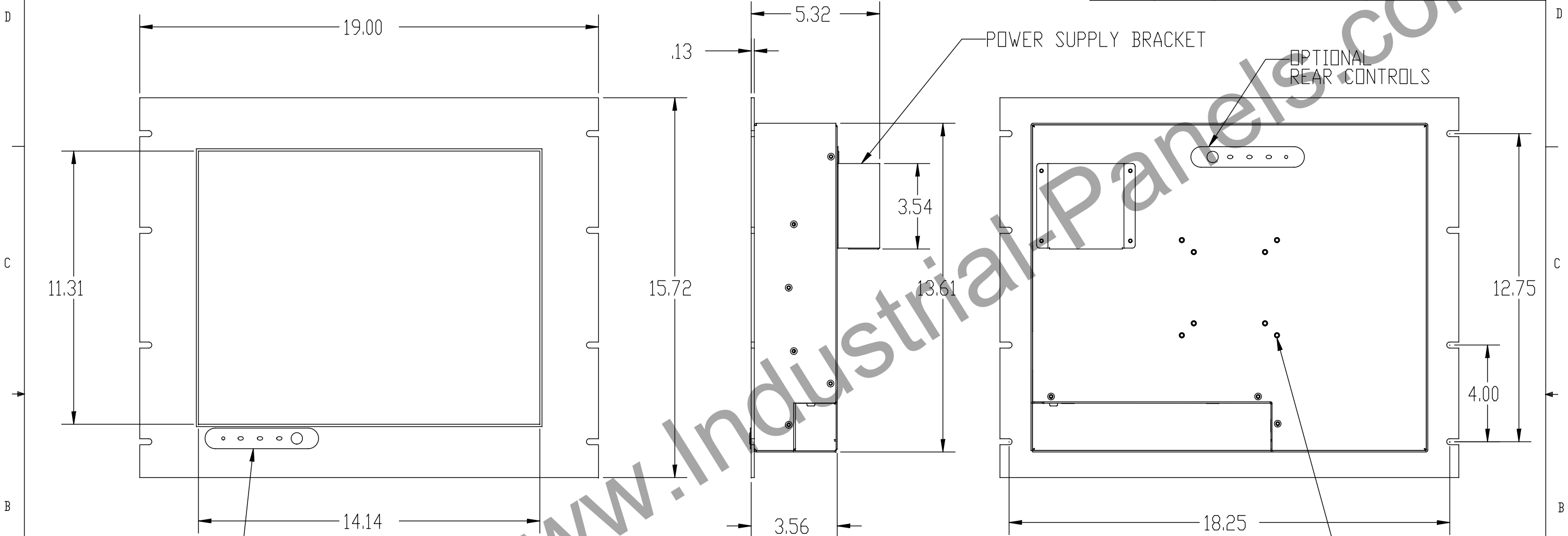


REVISIONS				
ZONE	REV.	DESCRIPTION	DATE	APPROVED
	01	INITIAL RELEASE	09/26/2005	
	02	KEYPAD REMOVED, .50 THICKER	12/8/2005	
	03	LOCATION FOR FRONT CONTROL MOVED.	1/16/2006	



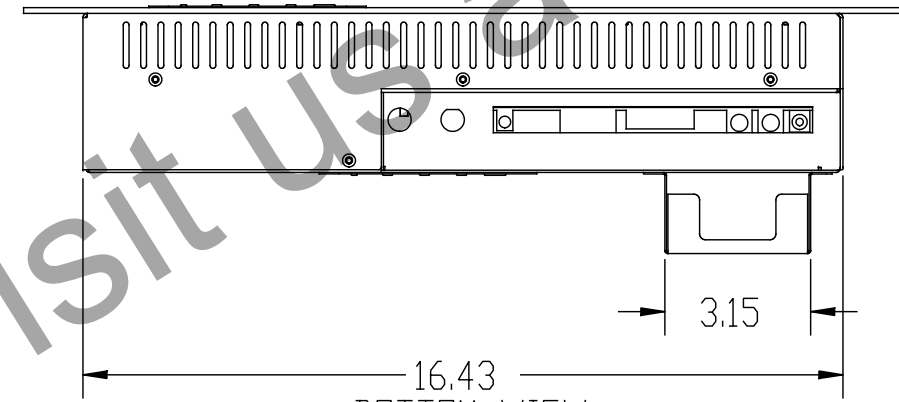
OPTIONAL FRONT CONTROLS

FRONT VIEW

SIDE VIEW

BACK VIEW

OPTIONAL VESA MOUNTING



BOTTOM VIEW

PROPRIETARY AND CONFIDENTIAL
 THE INFORMATION CONTAINED IN THIS DRAWING IS THE SOLE PROPERTY OF DYNAMIC DISPLAYS, INC. ANY REPRODUCTION IN PART OR AS A WHOLE WITHOUT THE WRITTEN PERMISSION OF DYNAMIC DISPLAYS, INC. IS PROHIBITED.

		UNLESS OTHERWISE SPECIFIED:		NAME	DATE	Dynamic Displays, Inc.	
		DIMENSIONS ARE IN INCHES		DRAWN	ARJ	9/26/05	TITLE: OUTLINE DRAWING 18" FLAT PANEL RACK MOUNT
		TOLERANCES:		CHECKED			
		FRACTIONAL ±		ENG APPR.			
		ANGULAR: MACH ± BEND.5°		MFG APPR.			
		TWO PLACE DECIMAL ± .020		Q.A.			SIZE DWG. NO.
		THREE PLACE DECIMAL ± .010		COMMENTS:			REV
		INTERPRET GEOMETRIC TOLERANCING PER:					0014094
		MATERIAL					03
		FINISH					
NEXT ASSY		USED ON					SCALE: 1:2
APPLICATION		DO NOT SCALE DRAWING					SHEET 1 OF 1

Visit us at www.IndustrialPanels.com