

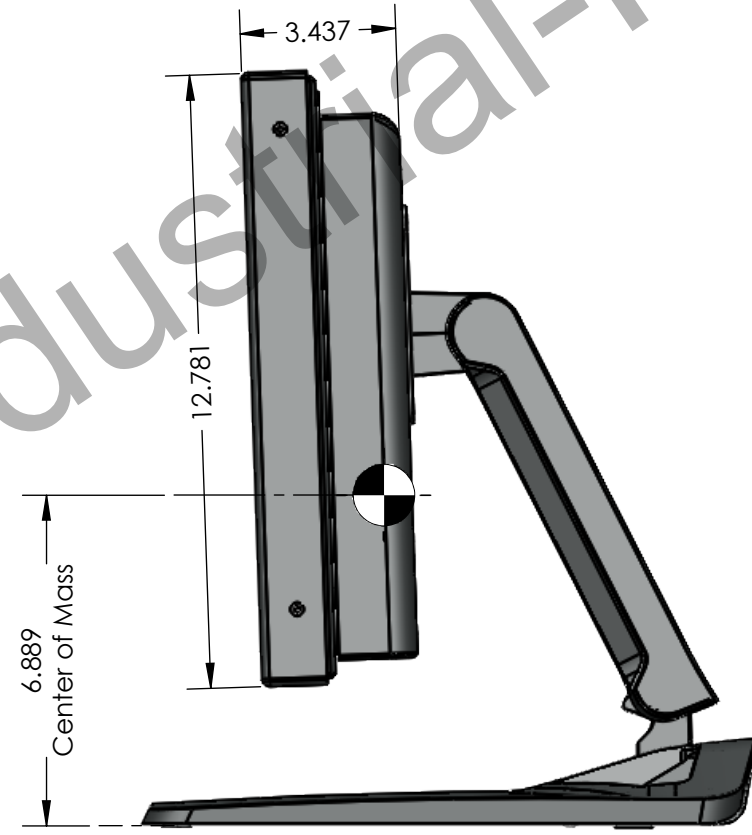
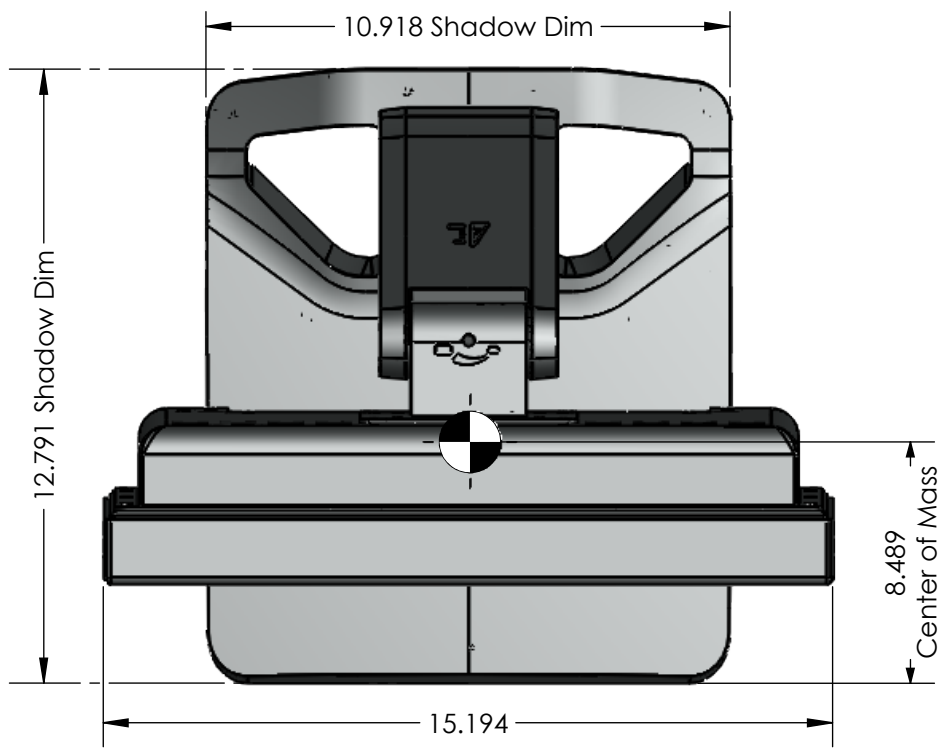
4

3

2

1

REV.	DESCRIPTION	DATE	APPROVED
1	RELEASE TO PRODUCTION	2/17/2016	OBM



INPUT INTERFACE BRACKET

- NOTES:
1. FINISH: FCDT BLACK POWDER COAT (FS-001)
 2. MASS = 19.69 POUNDS
 3. TILT& SWIVEL: ERGOTRON 33-387-080
 4. ALL TRUE DIMENSIONS UNLESS OTHERWISE SPECIFIED

PROPRIETARY AND CONFIDENTIAL
 THE INFORMATION CONTAINED IN THIS DRAWING IS THE SOLE PROPERTY OF DYNAMIC DISPLAY, INC. ANY REPRODUCTION IN PART OR AS A WHOLE WITHOUT THE WRITTEN PERMISSION OF DYNAMIC DISPLAY, INC. IS PROHIBITED.

UNLESS OTHERWISE SPECIFIED:		NAME	DATE
DIMENSIONS ARE IN INCHES		DRAWN	OBM 2/18/2016
TOLERANCES:		CHECKED	DR 2/18/2016
FRACTIONAL ±		ENG APPR.	OBM 2/18/2016
ANGULAR: MACH ± BEND ±.5°		MFG APPR.	TJP 2/18/2016
TWO PLACE DECIMAL ±.020		Q.A.	MRC 2/18/2016
THREE PLACE DECIMAL ±.010		COMMENTS:	
INTERPRET GEOMETRIC TOLERANCING PER:			
MATERIAL			
FINISH			
POWDER COAT BLACK WRINKLE			
DO NOT SCALE DRAWING			

Dynamic Displays, Inc.		
TITLE:		
OUTLINE DWG, 17" FLT/PNL WALL MOUNT		
SIZE	DWG. NO.	REV
B	0014142	01
SCALE: 1:5		SHEET 1 OF 2

4

3

2

1