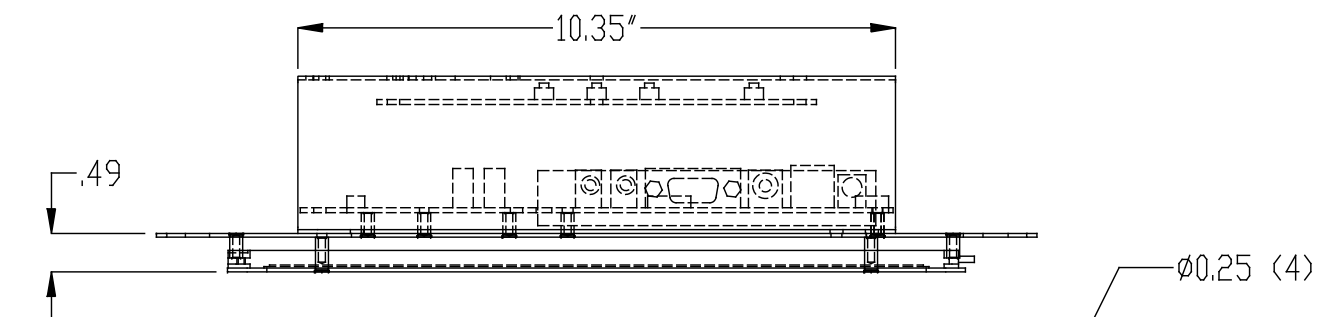
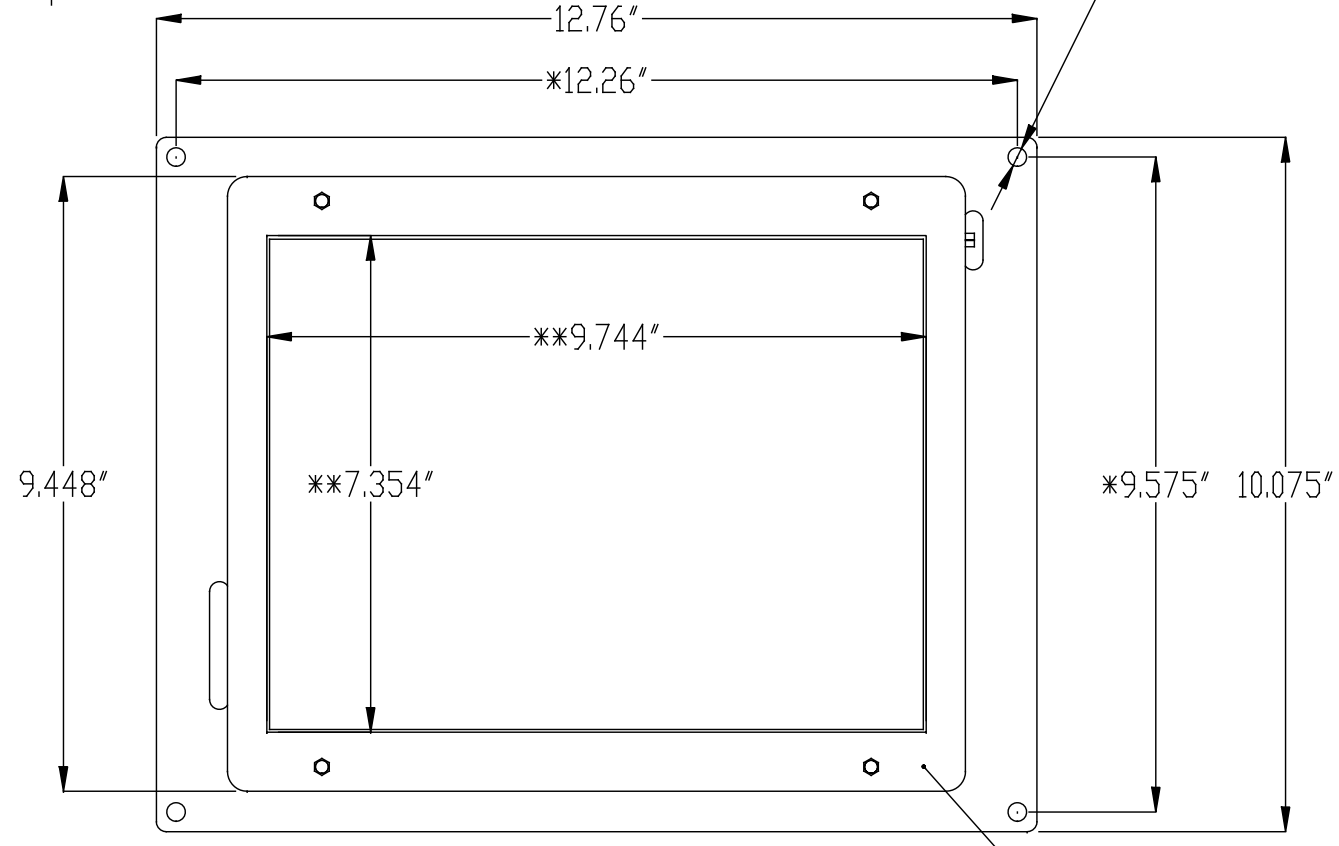


REVISIONS			
REV.	DESCRIPTION	DATE	APPROVED
01	PROTOTYPE RELEASE	10/6/2010	

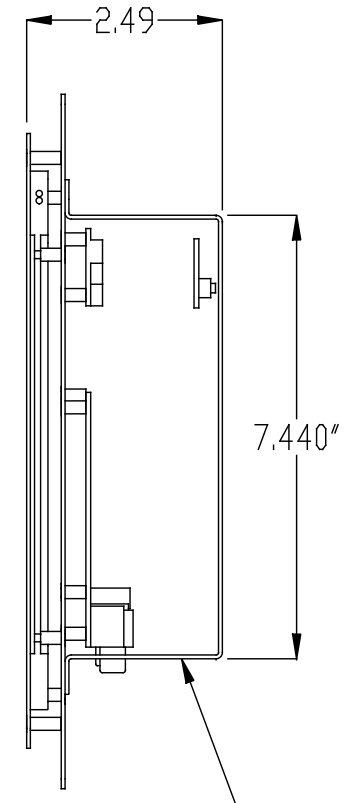
TOP VIEW



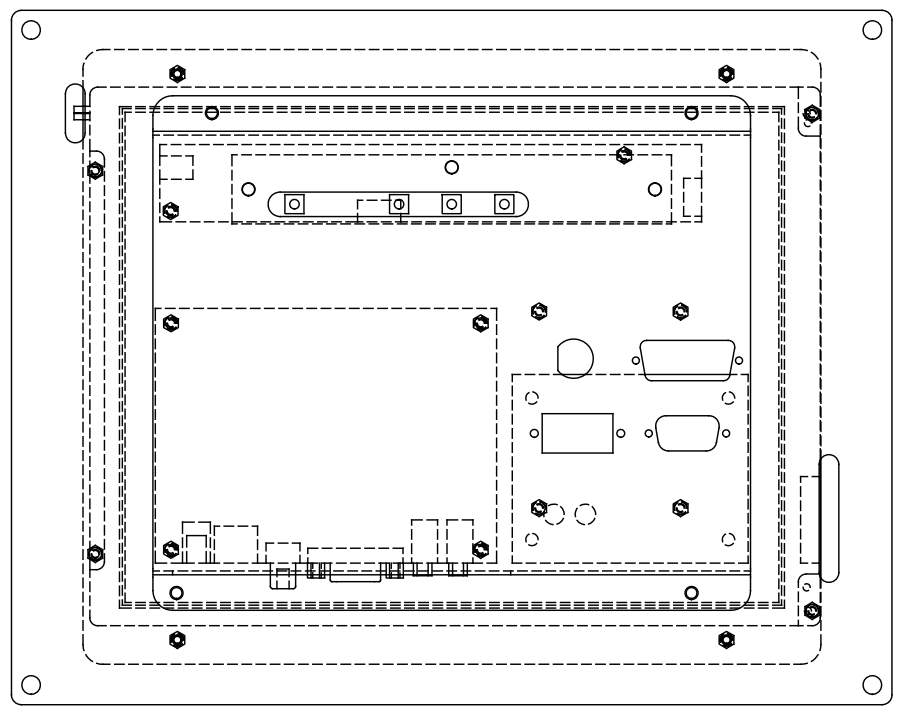
FRONT VIEW



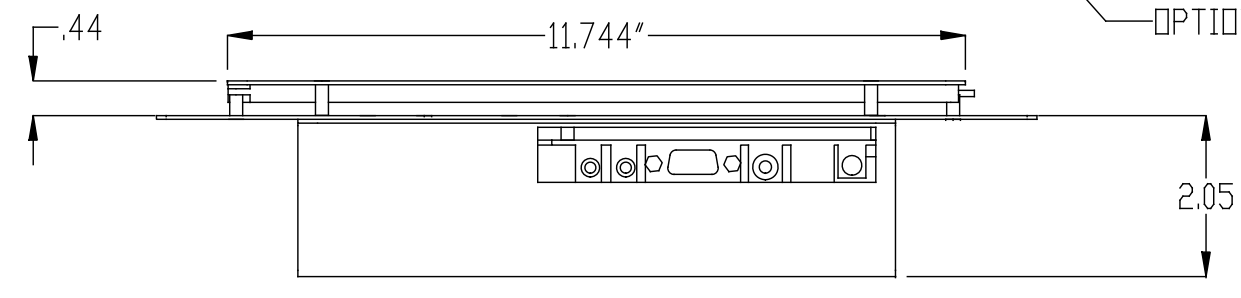
SIDE VIEW



REAR VIEW



BOTTOM VIEW



\* EXISTING CHASSIS MOUNTING HOLES  
 \*\* BEZEL OPENING

PROPRIETARY AND CONFIDENTIAL  
 THE INFORMATION CONTAINED IN THIS  
 DRAWING IS THE SOLE PROPERTY OF  
 DYNAMIC DISPLAYS, INC. ANY  
 REPRODUCTION IN PART OR AS A WHOLE  
 WITHOUT THE WRITTEN PERMISSION OF  
 DYNAMIC DISPLAYS, INC. IS  
 PROHIBITED.

		UNLESS OTHERWISE SPECIFIED:		NAME	DATE	Dynamic Displays, Inc.
		DIMENSIONS ARE IN INCHES		DRAWN	ARJ	
		TOLERANCES:		CHECKED		TITLE:
		FRACTIONAL ±		ENG APPR.		OUTLINE DWG, 12.1" RETROFIT/14" CRT
		ANGULAR: MACH ± BEND ± .5°		MFG APPR.		
		TWO PLACE DECIMAL ± .020		Q.A.		SIZE DWG. NO.
		THREE PLACE DECIMAL ± .010		COMMENTS:		B 0014127
		INTERPRET GEOMETRIC TOLERANCING PER:				REV
		MATERIAL:				01
NEXT ASSY	USED ON	FINISH				SCALE: NS
APPLICATION		DO NOT SCALE DRAWING				SHEET 1 OF 1