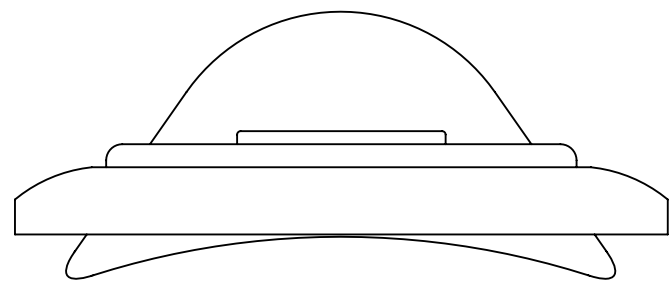
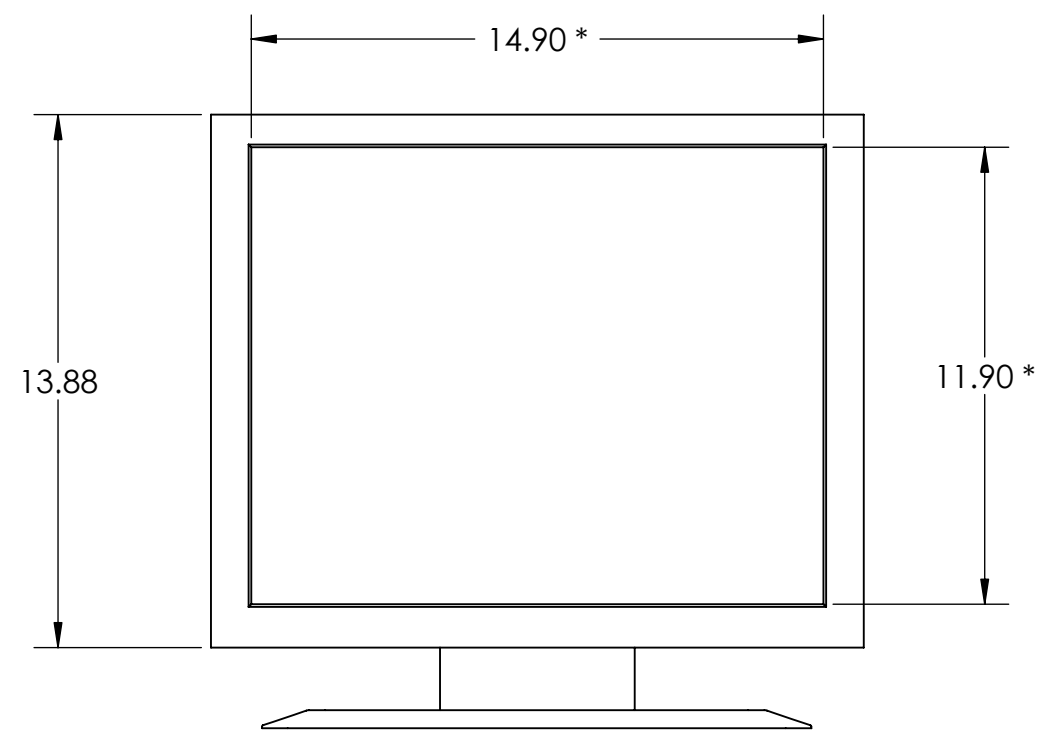


8 7 6 5 4 3 2 1

REVISIONS				
ZONE	REV.	DESCRIPTION	DATE	APPROVED
	A	PRODUCTION RELEASE	2/3/2007	

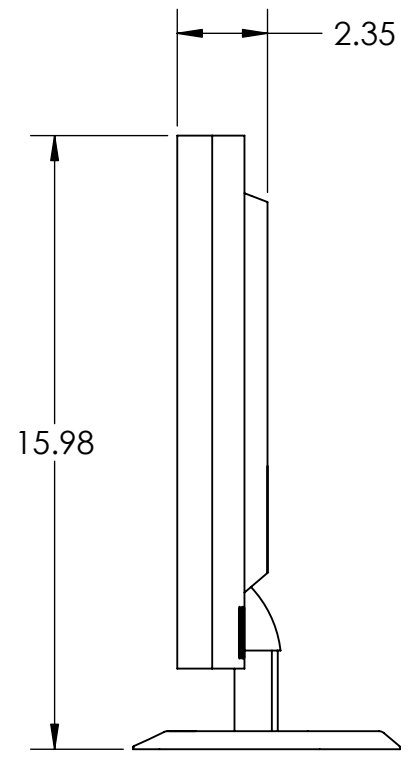


TOP VIEW

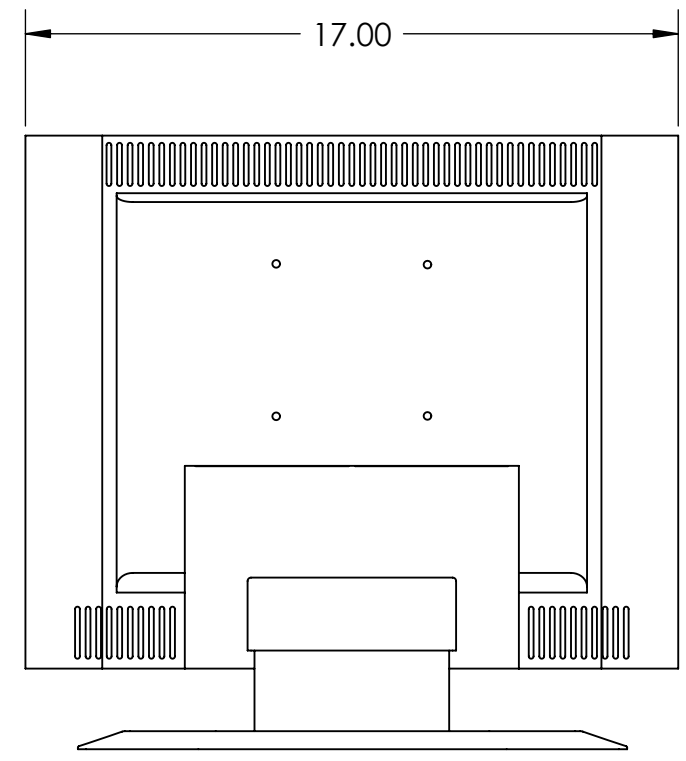


FRONT VIEW

* VIEWING AREA



SIDE VIEW



REAR VIEW

PROPRIETARY AND CONFIDENTIAL
 THE INFORMATION CONTAINED IN THIS DRAWING IS THE SOLE PROPERTY OF AYDIN DISPLAYS. ANY REPRODUCTION IN PART OR AS A WHOLE WITHOUT THE WRITTEN PERMISSION OF AYDIN DISPLAYS IS PROHIBITED.

		UNLESS OTHERWISE SPECIFIED:		NAME	DATE	<h2>Dynamic Displays</h2> <p>TITLE:</p> <h3>OUTLINE DWG, 19", FLT/PNL, PLSTC CAB</h3>
		DIMENSIONS ARE IN INCHES		DRAWN	ARJ 2/03/07	
		TOLERANCES:		CHECKED		
		FRACTIONAL ±		ENG APPR.		
		ANGULAR: MACH ± BEND ± .5°		MFG APPR.		
		TWO PLACE DECIMAL ± .020		Q.A.		SIZE DWG. NO. REV B 0014112 A
		THREE PLACE DECIMAL ± .010		COMMENTS:		
		INTERPRET GEOMETRIC TOLERANCING PER:				SCALE: 1:8
		MATERIAL				SHEET 1 OF 1
		FINISH				
NEXT ASSY	USED ON	APPLICATION		DO NOT SCALE DRAWING		

8 7 6 5 4 3 2 1